



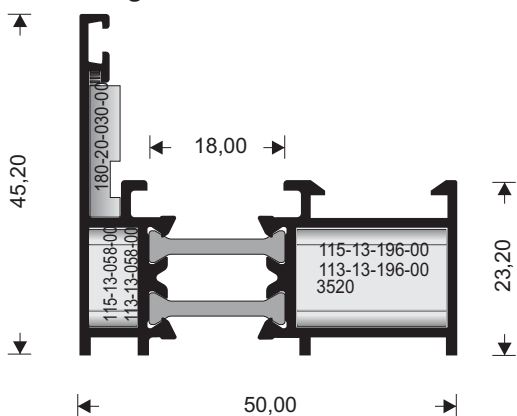
Profili Profiles

1:1

M 9651

W = 904 gr/m

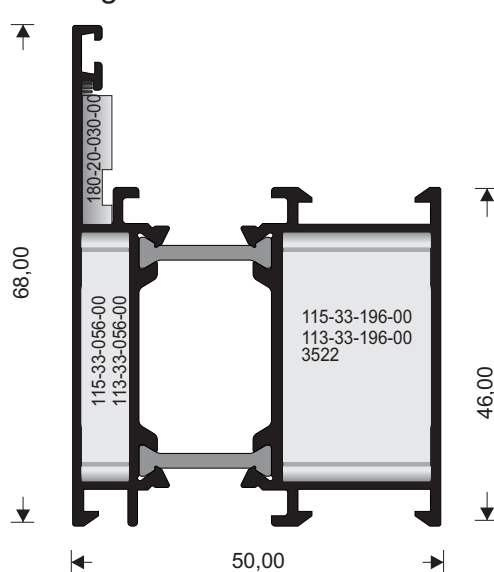
ŠTOK RAVNI-MALI
FRAME SMALL FLAT



BH 46

W = 1326 gr/m

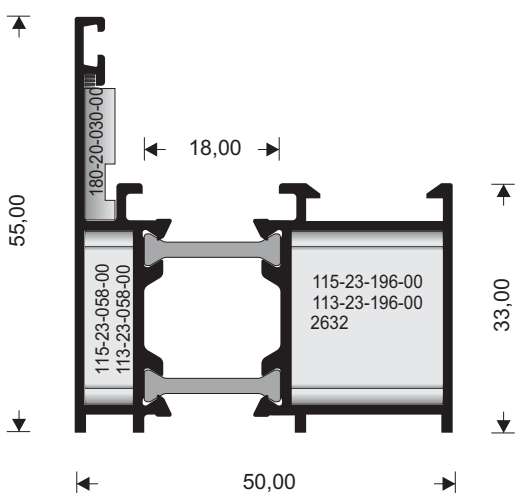
ŠTOK RAVNI VELIKI
FRAME LARGE FLAT



M 9652

W = 1070 gr/m

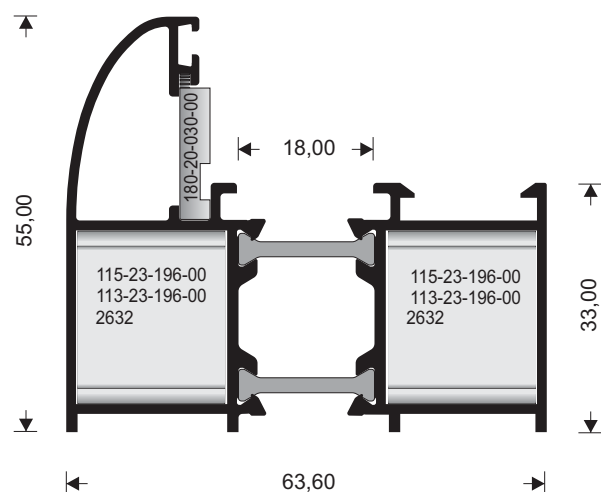
ŠTOK RAVNI-SREDNJI
FRAME MEDIUM FLAT



M 9653

W = 1227 gr/m

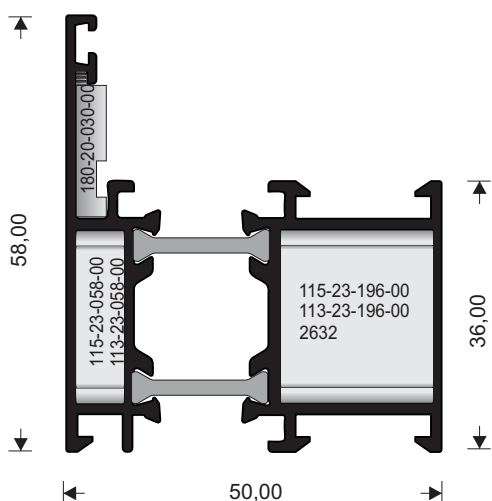
ŠTOK ZAOLJENI-SREDNJI
FRAME MEDIUM ROUND



M 9650

W = 1188 gr/m

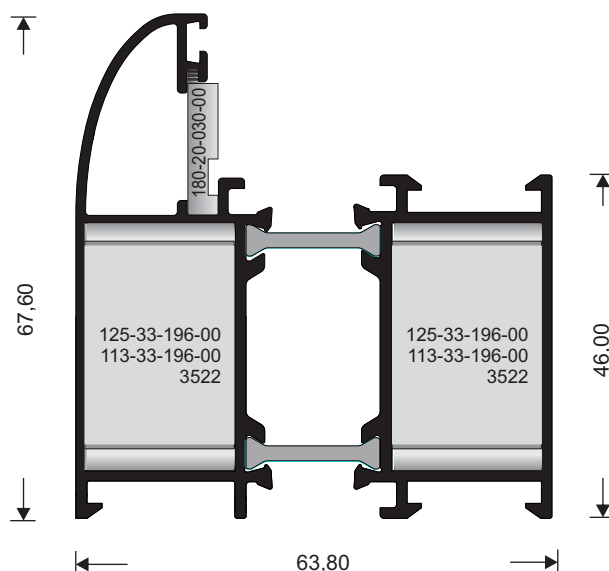
ŠTOK RAVNI-SREDNJI
FRAME MEDIUM FLAT



BH 47

W=1,473 gr/m

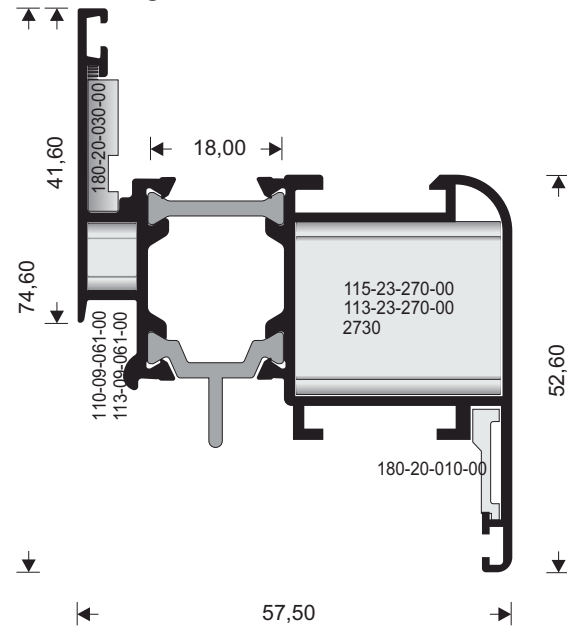
ZAOLJENI ŠTOK
FRAME ROUND



M 9663

KRILO RAVNO-SREDNJEMALO
SASH MEDIUM FLAT

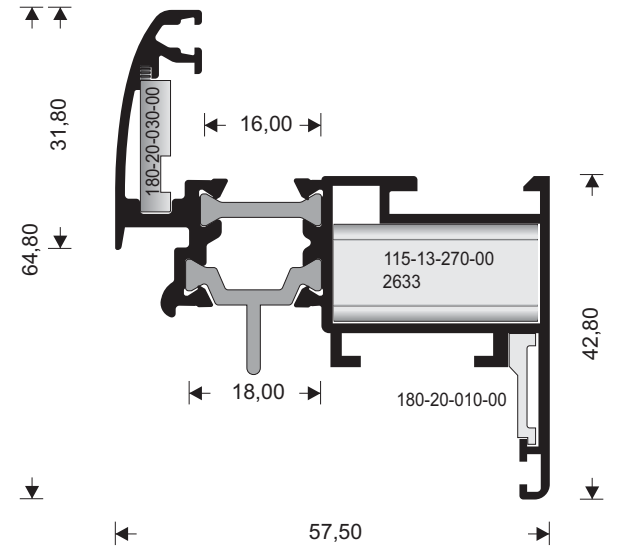
W = 1265 gr/m



M 9666

KRILO ZAoblJENO-MALO
SASH SMALL ROUND

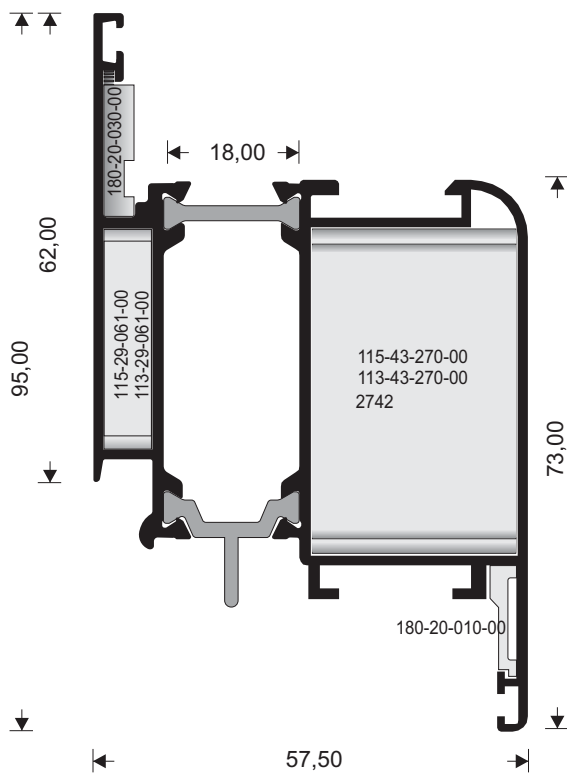
W = 1224 gr/m



M 9664

KRILO RAVNO-VELIKO
SASH LARGE FLAT

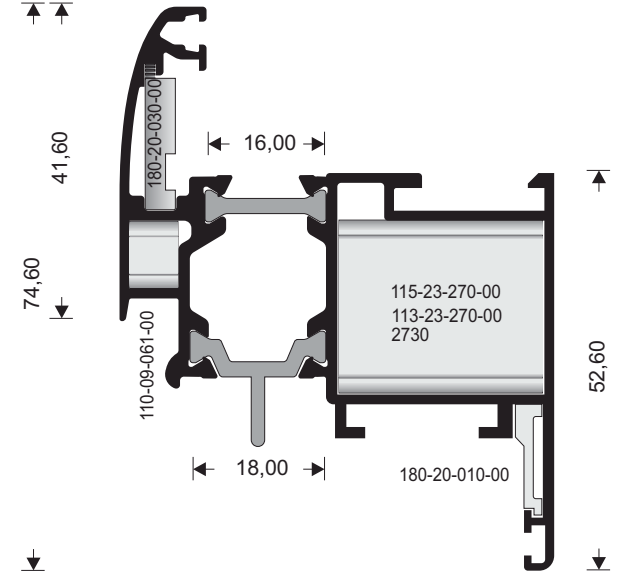
W = 1577 gr/m



M 9667

ZAoblJENO KRILO-SREDNJE
SASH MEDIUM ROUND

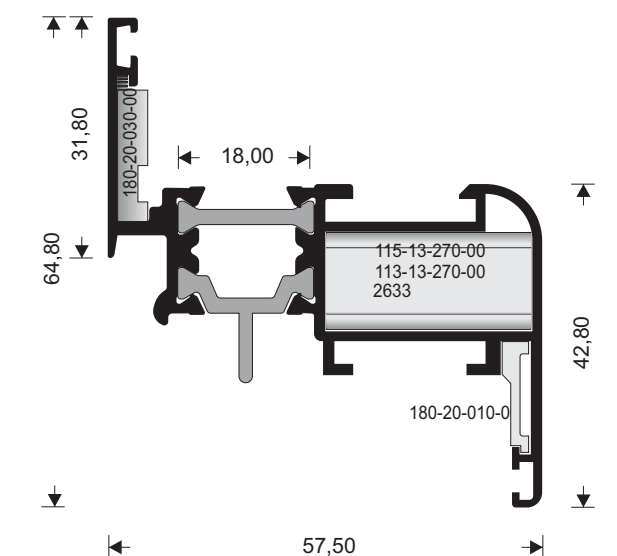
W = 1395 gr/m



M 9662

KRILO RAVNO-MALO
SASH SMALL FLAT

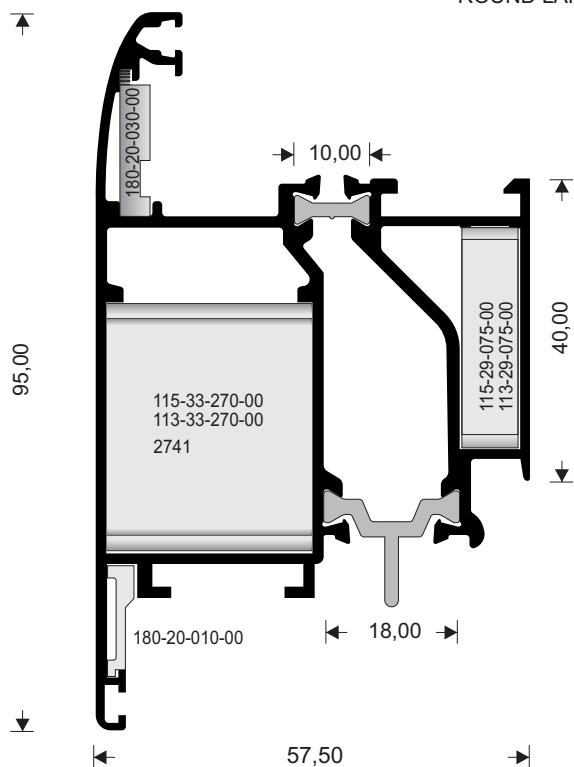
W = 1099 gr/m



M 9669

KRILO VRATA ZA OBLJENO
ZA OTVARANJE VANI
SASH OPENING OUTSIDE
ROUND LARGE

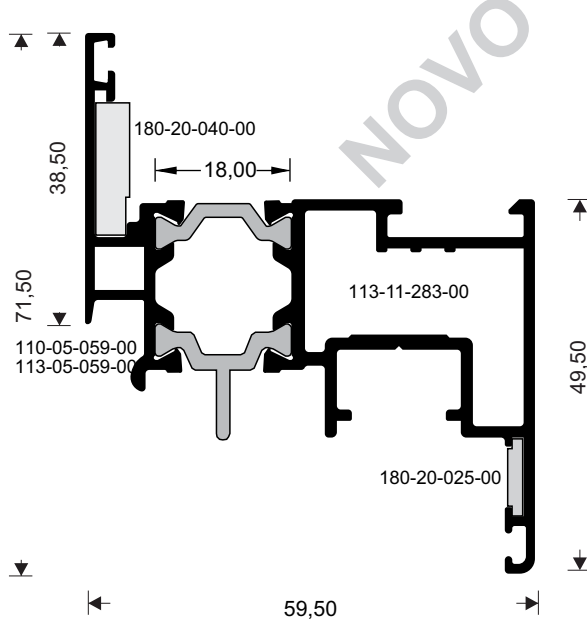
W = 1748 gr/m



M 9686

KRILO SA KANALOM ZA PVC OKOV
SASH WITH PVC CHANEL

W = 1384 gr/m

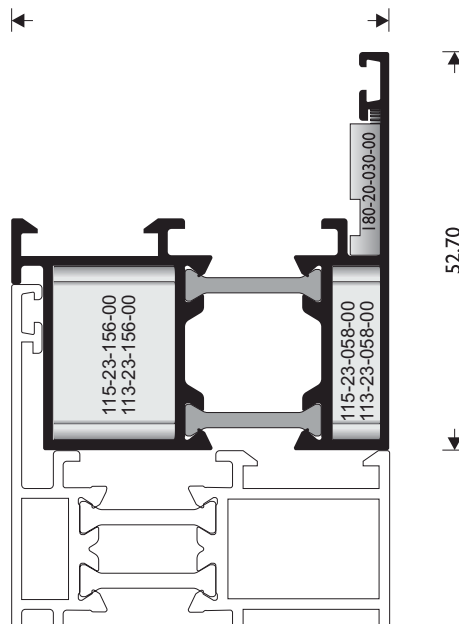


M 9691

PROFIL ZA PROMJENU SMJERA OTVARANJA

W = 1033 gr/m

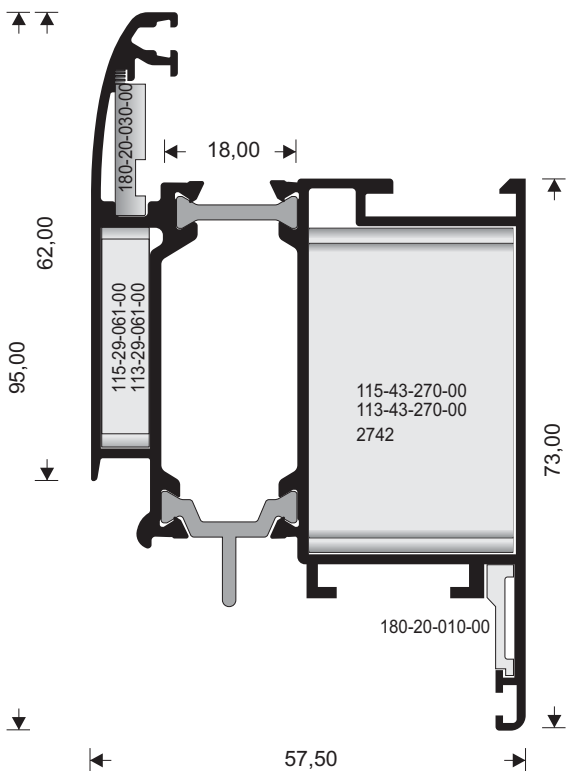
SUPPLEMENTARY PROFIL
FOR OPENING OUTSIDE



M 9668

KRILO ZA OBLJENO-VELIKO
SASH LARGE ROUND

W = 1695 gr/m

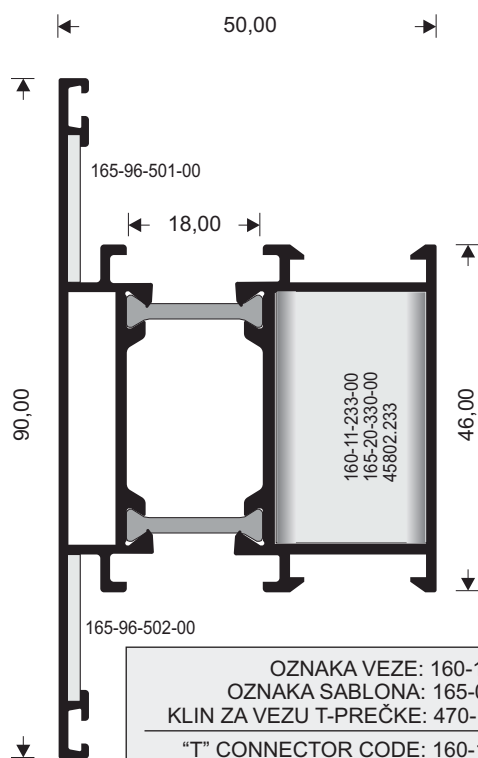


M 9690

W = 1426 gr/m

"T" PREČKA

"T" PROFILE



OZNAKA VEZE: 160-11-233-00
 OZNAKA SABLONA: 165-00-001-00
 KLIN ZA VEZU T-PREČKE: 470-11-835-00
 "T" CONNECTOR CODE: 160-11-233-00
 DRILLING GUIDE CODE: 165-00-001-00
 NAIL FOR T-PROFILE: 470-11-835-00

OZNAKA LIVENE VEZE: 165-20-330-00

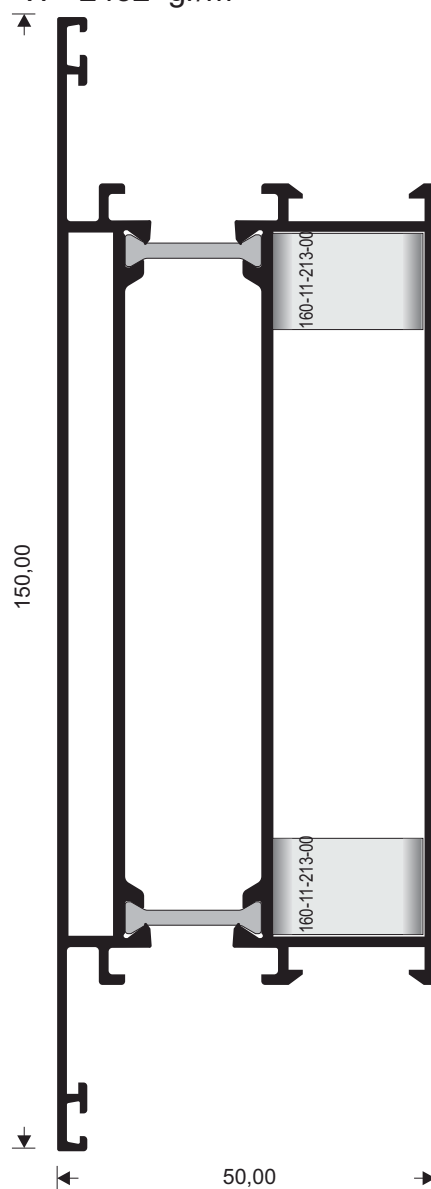
"T" CONNECTOR CODE: 165-20-330-00

M 9693

W = 2452 gr/m

T-PREČKA

"T" PROFILE

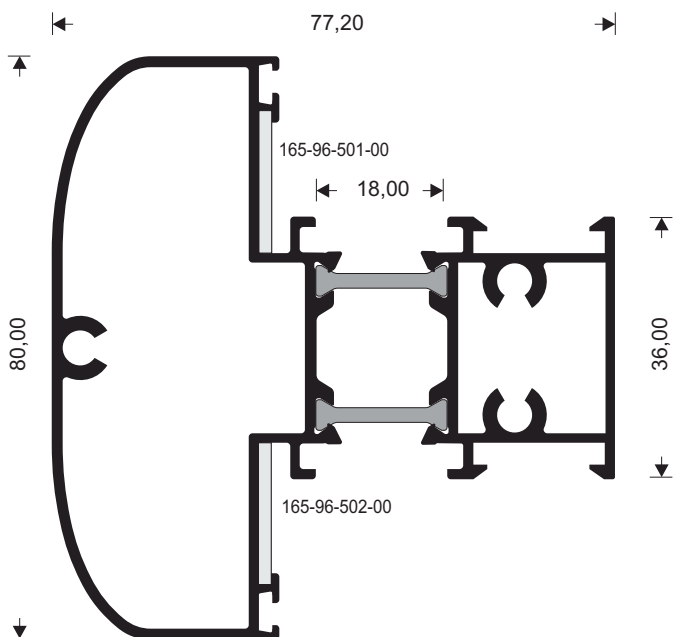


M 9656

W = 1870 gr/m

OJAČANA "T" PREČKA

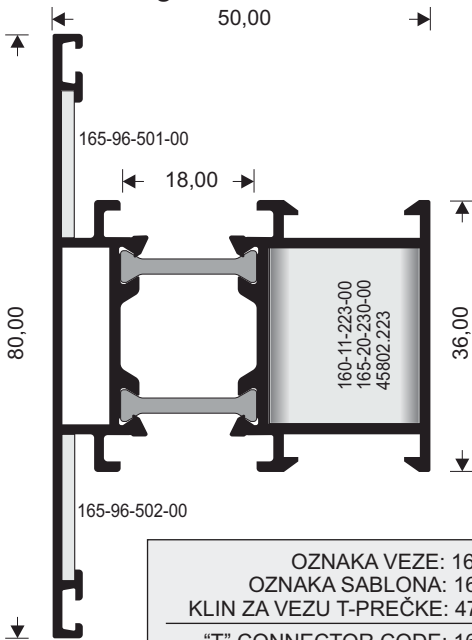
"T" PROFILE



M 9659

W = 1304 gr/m

"T" PREČKA
"T" PROFILE



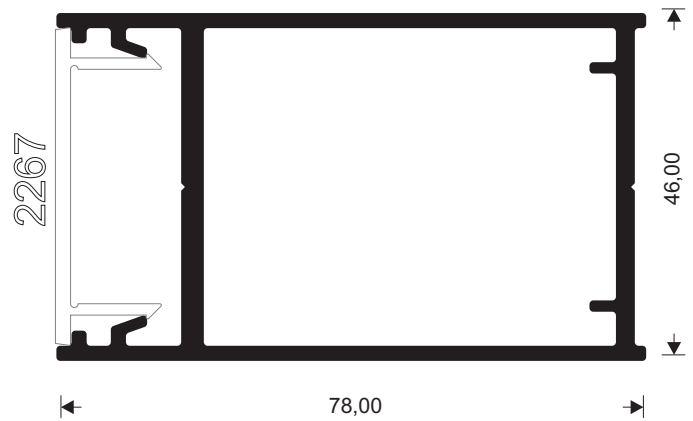
OZNAKA VEZE: 160-11-223-00
OZNAKA SABLONA: 165-00-001-00
KLIN ZA VEZU T-PREČKE: 470-11-835-00
"T" CONNECTOR CODE: 160-11-223-00
DRILLING GUIDE CODE: 165-00-001-00
NAIL FOR T -PROFILE: 470-11-835-00

OZNAKA LIVENE VEZE: 165-20-230-00
"T" CONNECTOR CODE: 165-20-230-00

2266

W = 1569 gr/m

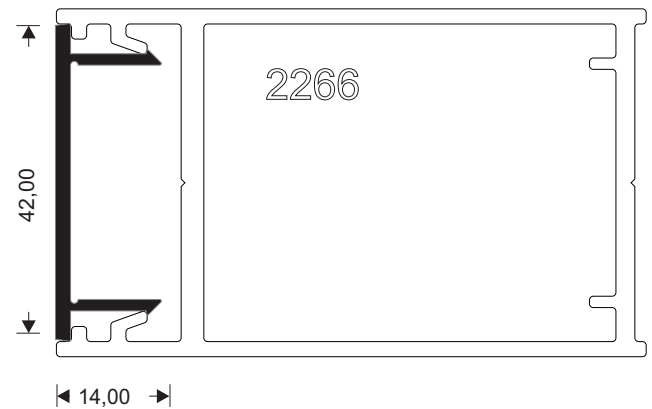
OJAČANJE ZA M9690
SUPPLEMENTARY PROFILE 9690



2267

W = 318 gr/m

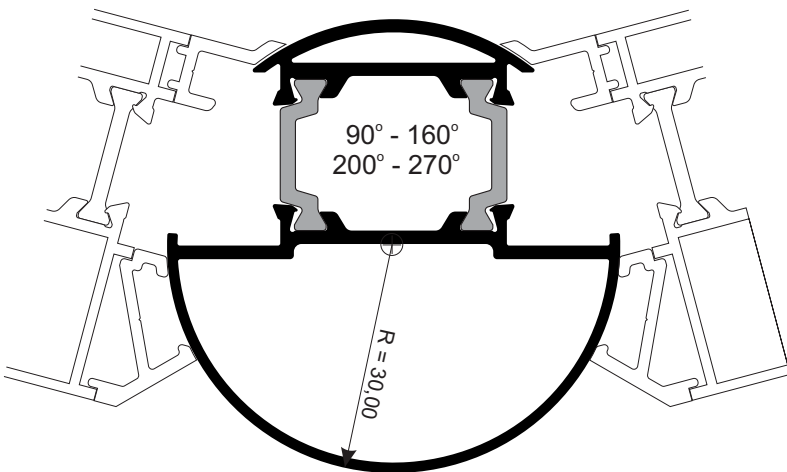
POKLOPAC ZA 2266
CAP FOR 2266



M 11178

W = 1285 gr/m

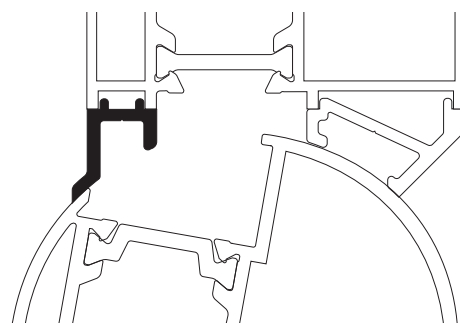
PROFIL ZA PODEŠAVAJUĆI UGAO
CIRCULAR COLUMN
FOR VARIABLE ANGLES



M 9671

W = 111 gr/m

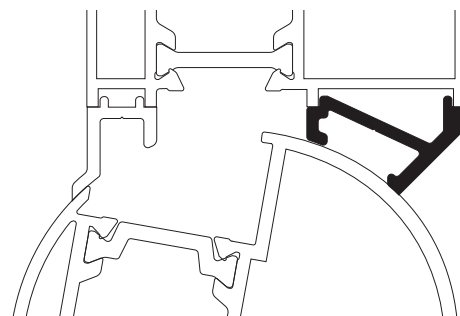
LAJSNA ZA PROFIL ZA PODEŠAVAJUĆI UGAO
ADJOINING PROFILE
FOR CIRCULAR COLUMN



M 9670

W = 177 gr/m

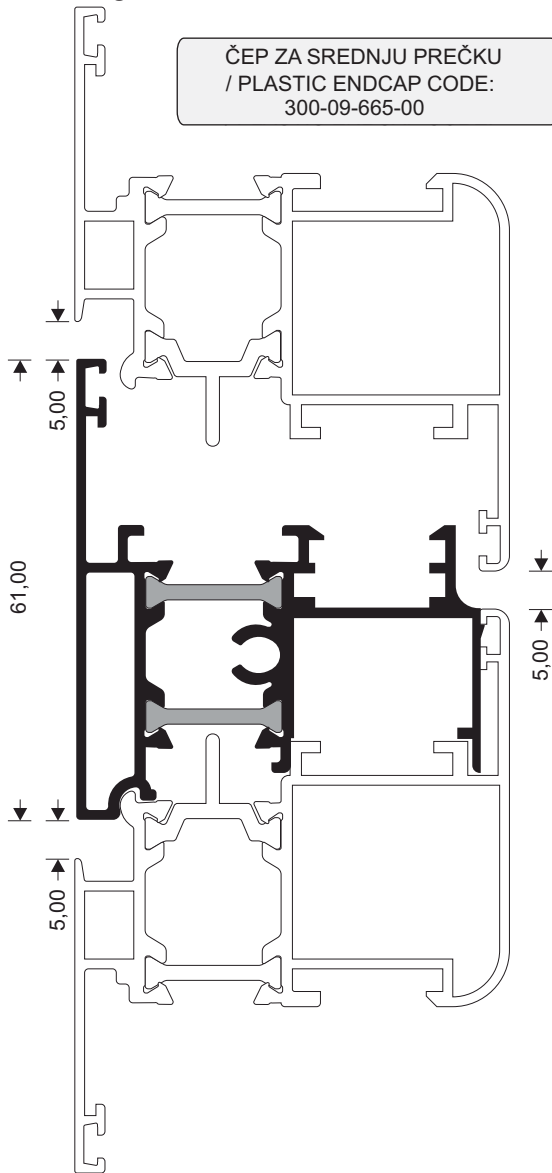
LAJSNA ZA PROFIL ZA PODEŠAVAJUĆI UGAO
ADJOINING PROFILE
FOR CIRCULAR COLUMN



M 9665

W = 1185 gr/m

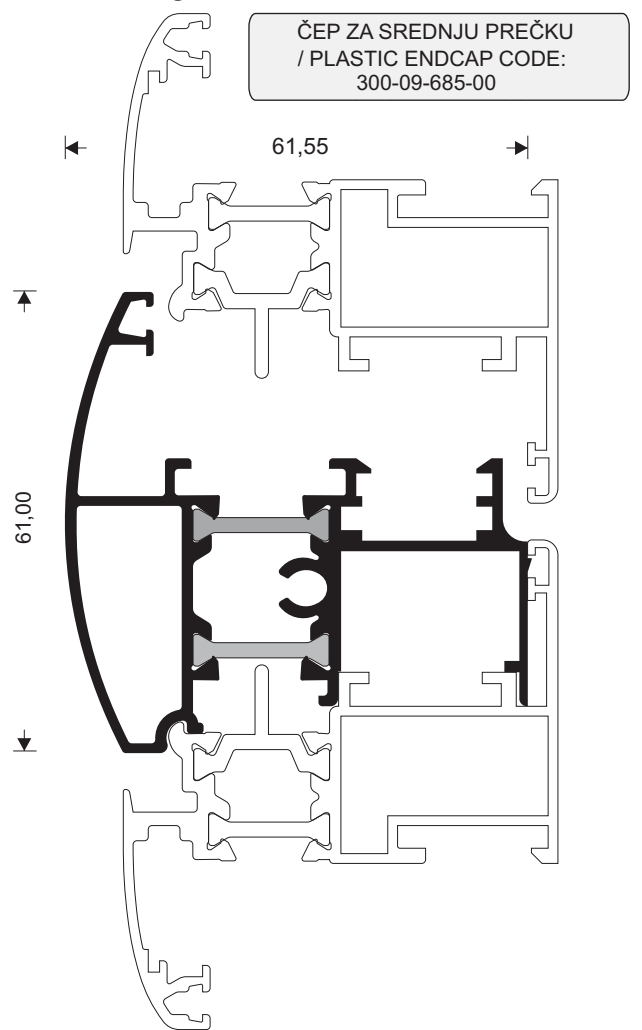
SREDNJA PRECKA RAVNA
ADJOINING PROFILE FLAT



M 9685

W = 1233 gr/m

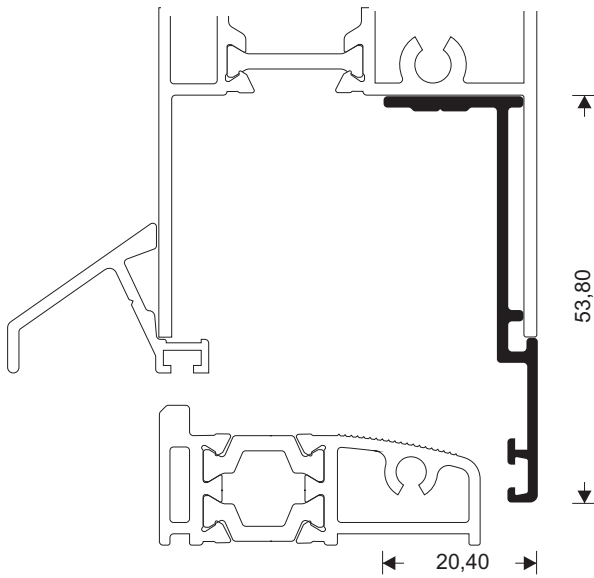
SREDNJA PRECKA ZAOBLJENA
ADJOINING PROFILE ROUND



M 11218

W = 345 gr/m

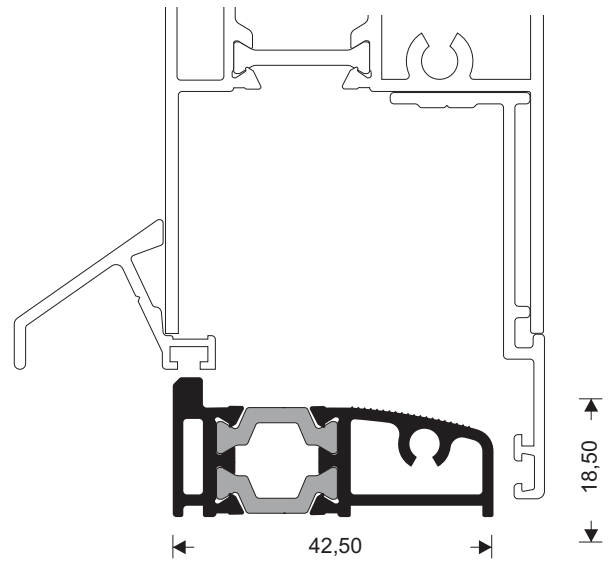
DODATNI PROFIL ZA PRAG
SUPPLEMENTARY PROFILE
FOR KICK PLATE



M 9672

W = 726 gr/m

PRAG
THRESHOLD

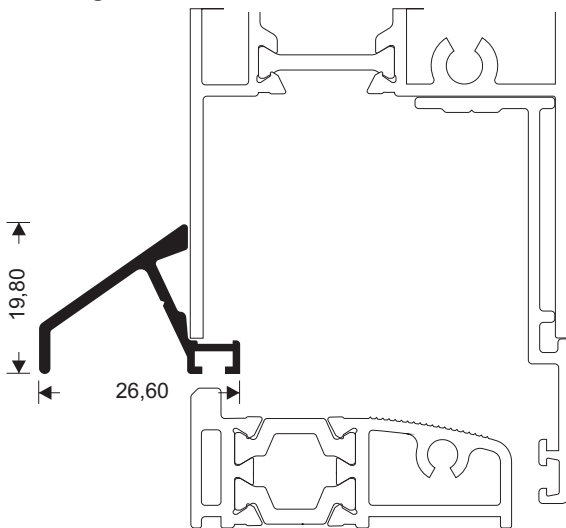


OZNAKA PVC ČEPOVA / PLASTIC ENDCAP CODE: 310-09-672-00

M 11226

W = 227 gr/m

OKAPNICA
WATER CAP

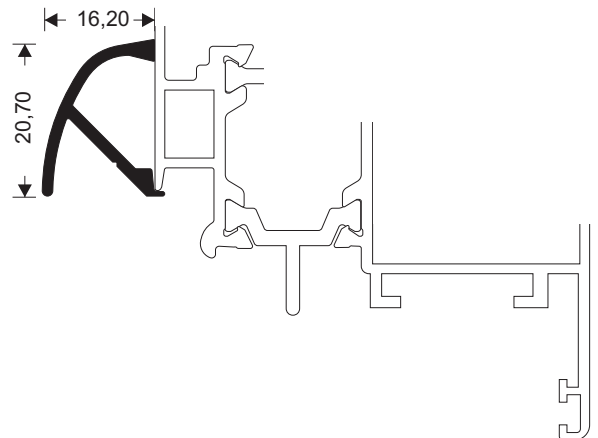


OZNAKA PVC ČEPOVA / PLASTIC ENDCAP CODE: 310-11-226-00

M 11116

W = 183 gr/m

OKAPNICA
WATER CAP

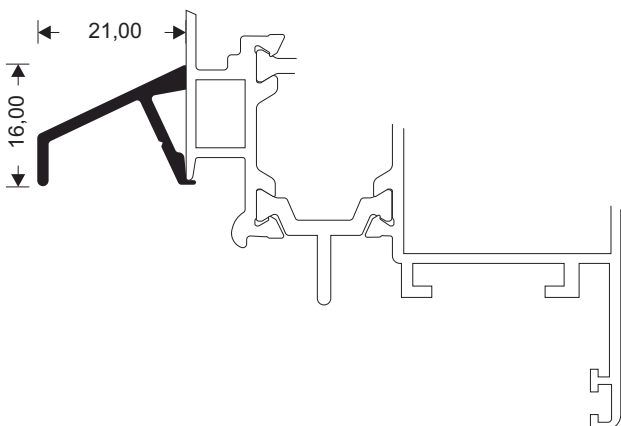


OZNAKA PVC ČEPOVA / PLASTIC ENDCAP CODE: 310-11-116-00

M 9317

W = 180 gr/m

OKAPNICA
WATER CAP

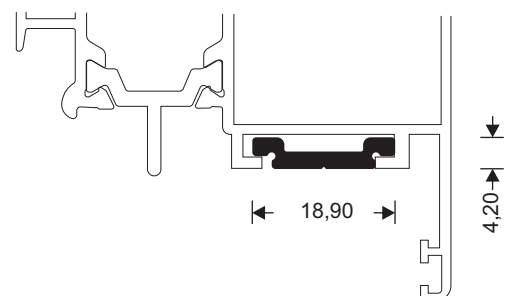


OZNAKA PVC ČEPOVA / PLASTIC ENDCAP CODE: 310-09-317-00

M 9316

W=136 gr/m

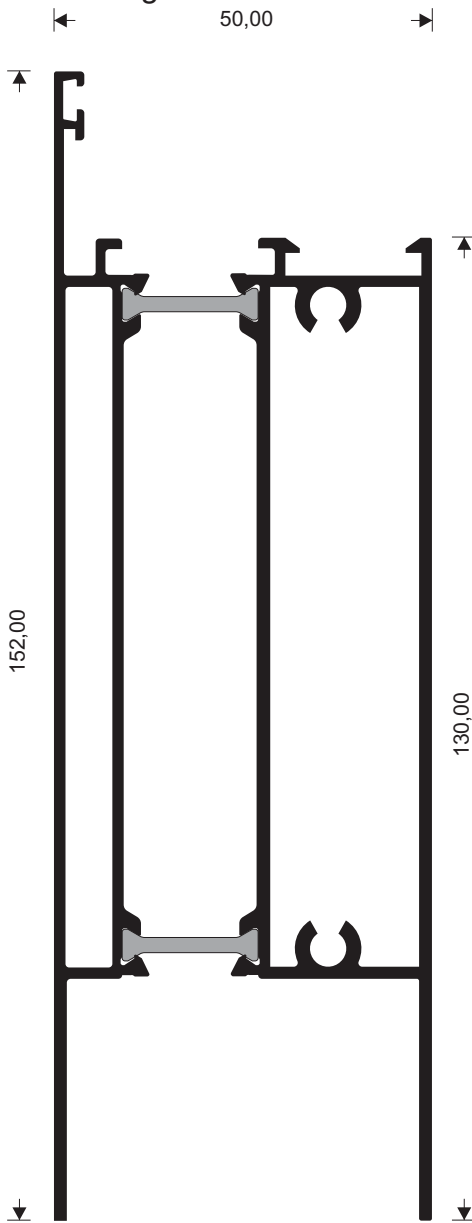
POTISNA LETVA
ROD



M 9661

W = 2731 gr/m

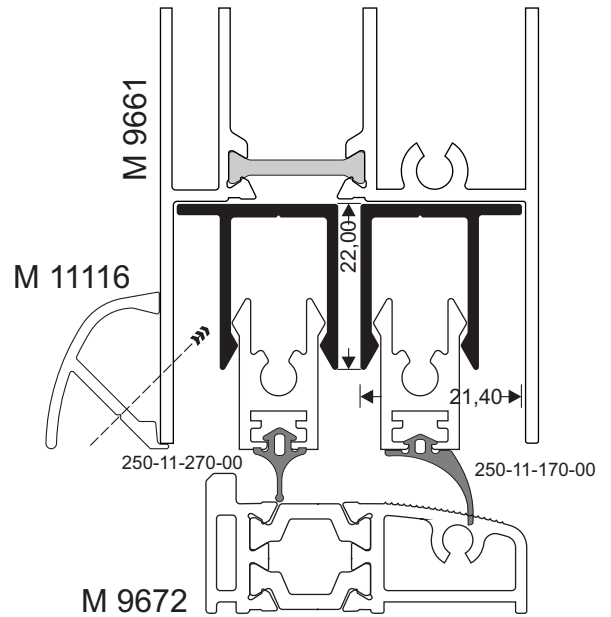
PARAPET
KICKPLATE



M 11211

W=268 gr/m

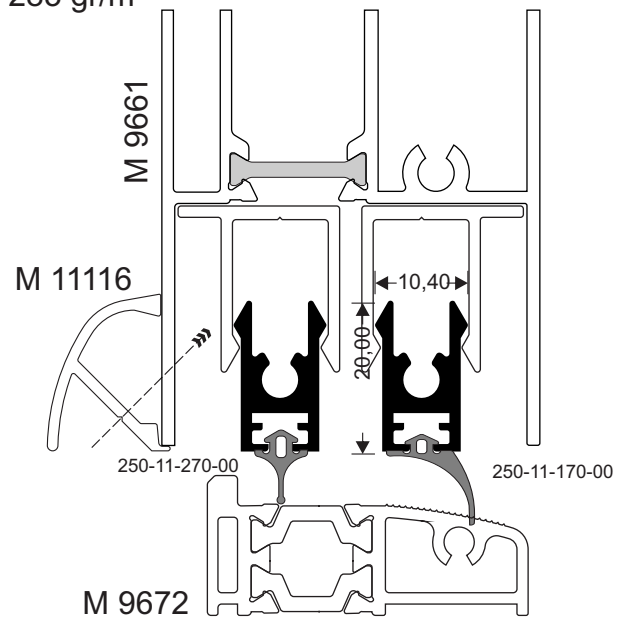
PROFIL ZA DNO VRATA
SUPPLEMENTARY PROFILE FOR DOORS



M 11210

W=283 gr/m

PROFIL ZA DNO VRATA NOSAČ GUME
SUPPLEMENTARY PROFILE FOR DOORS

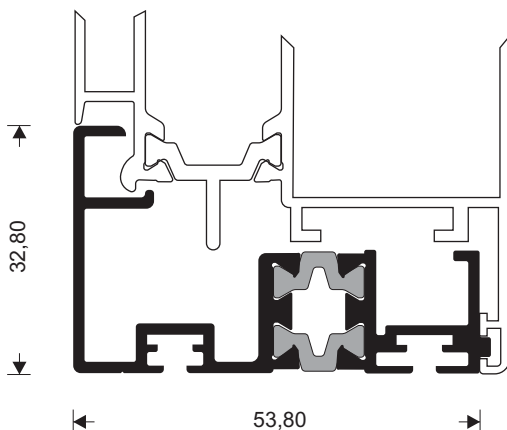


OZNAKA POKLOPCA / ENDCAP CODE: 310-11-210-00

M 9681

W=890 gr/m

DODATAK ZA DNO VRATA
SUPPLEMENTARY PROFILE
FOR DOORS

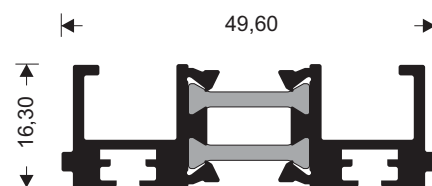


OZNAKA POKLOPCA / ENDCAP CODE: 310-09-681-00

M 9673

W = 802 gr/m

PROFIL ZA DNO VRATA
END CAP FOR DOORS

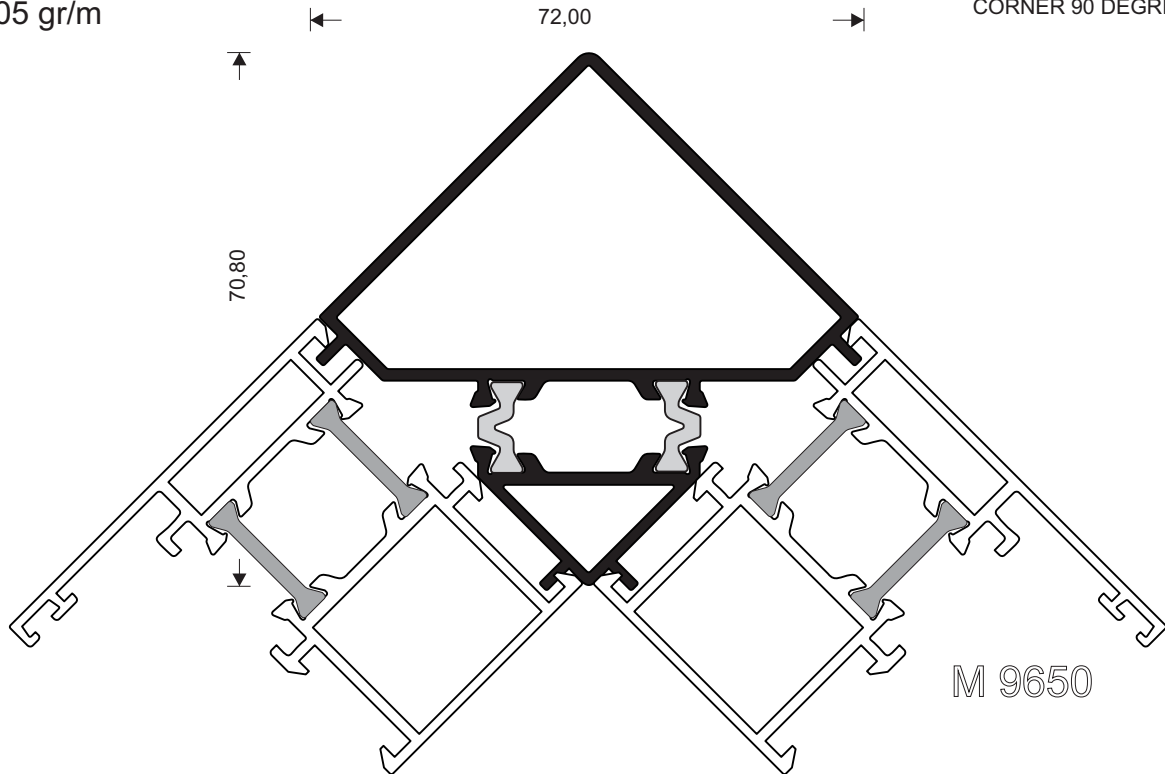


OZNAKA POKLOPCA / ENDCAP CODE: 310-09-673-00

M 9684

W = 1305 gr/m

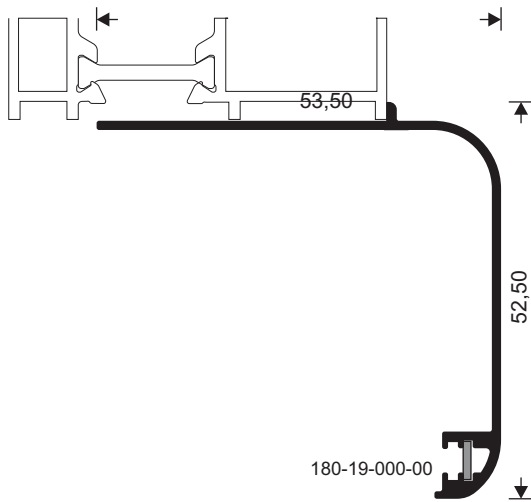
UGAO 90 STEPENI
CORNER 90 DEGREE



M 9419

W=397 gr/m

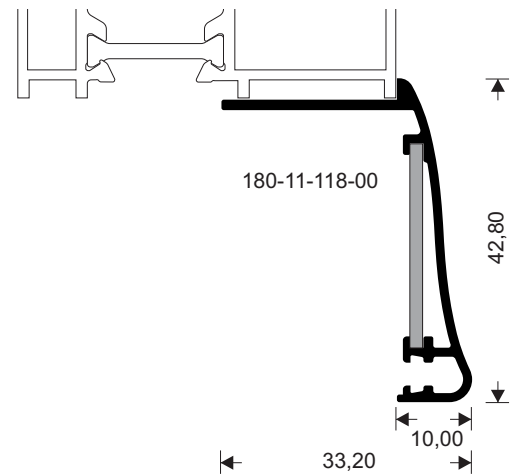
DEKORATIVNI PROFIL
DECORATIVE ARMATURE



M 11118

W = 324 gr/m

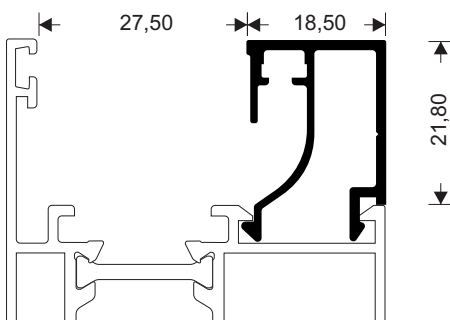
PROFIL DODATAK ŠTOKA
SUPPLEMENTARY PROFILE



M 11451

W = 307 gr/m

LAJSNA ZA STAKLO
GLAZING BEAD

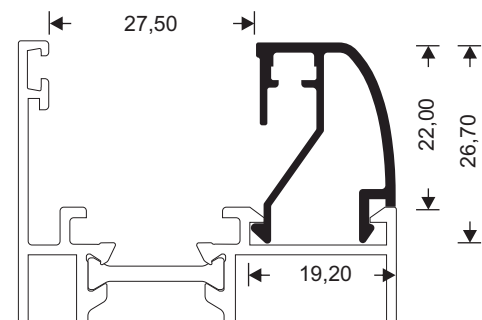


DEBLJINA ISPUNE / GLAZING THICKNESS: 20mm

M 11461

W=286 gr/m

LAJSNA ZA STAKLO
GLAZING BEAD



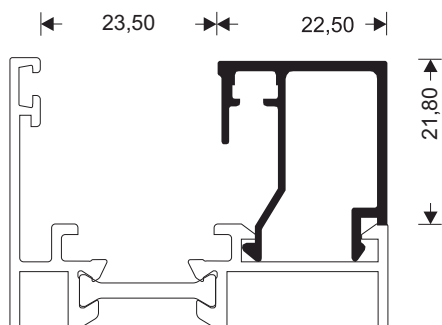
DEBLJINA ISPUNE / GLAZING THICKNESS: 20mm

M 11452

W=313 gr/m

LAJSNA ZA STAKLO

GLAZING BEAD



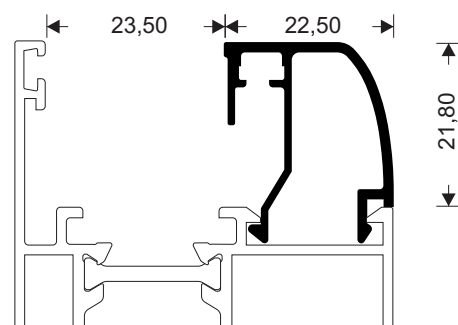
DEBLJINA ISPUNE / GLAZING TICKNESS: 16mm

M 11462

W = 297 gr/m

LAJSNA ZA STAKLO

GLAZING BEAD



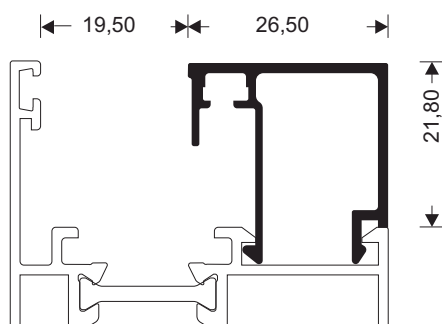
DEBLJINA ISPUNE / GLAZING TICKNESS: 16mm

M 11453

W=328 gr/m

LAJSNA ZA STAKLO

GLAZING BEAD



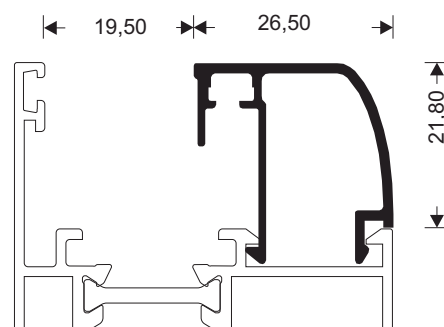
DEBLJINA ISPUNE / GLAZING TICKNESS: 12mm

M 11463

W=311 gr/m

LAJSNA ZA STAKLO

GLAZING BEAD



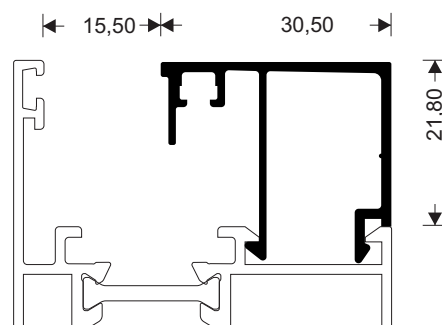
DEBLJINA ISPUNE / GLAZING TICKNESS: 12mm

M 11454

W=350 gr/m

LAJSNA ZA STAKLO

GLAZING BEAD



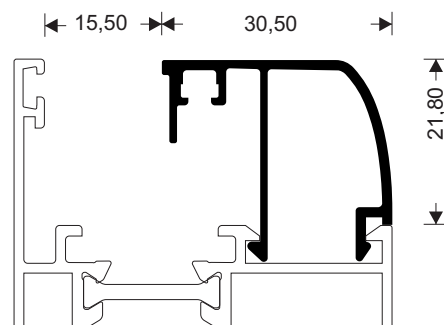
DEBLJINA ISPUNE / GLAZING TICKNESS: 8mm

M 11464

W=332 gr/m

LAJSNA ZA STAKLO

GLAZING BEAD



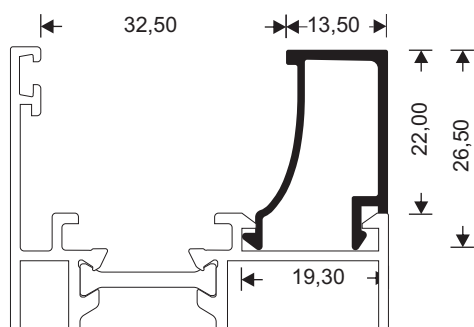
DEBLJINA ISPUNE / GLAZING TICKNESS: 8mm

M 9312

W=241 gr/m

LAJSNA ZA STAKLO

GLAZING BEAD



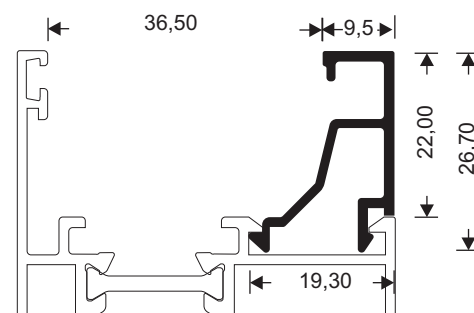
DEBLJINA ISPUNE / GLAZING TICKNESS: 24mm

M 9565

W=254 gr/m

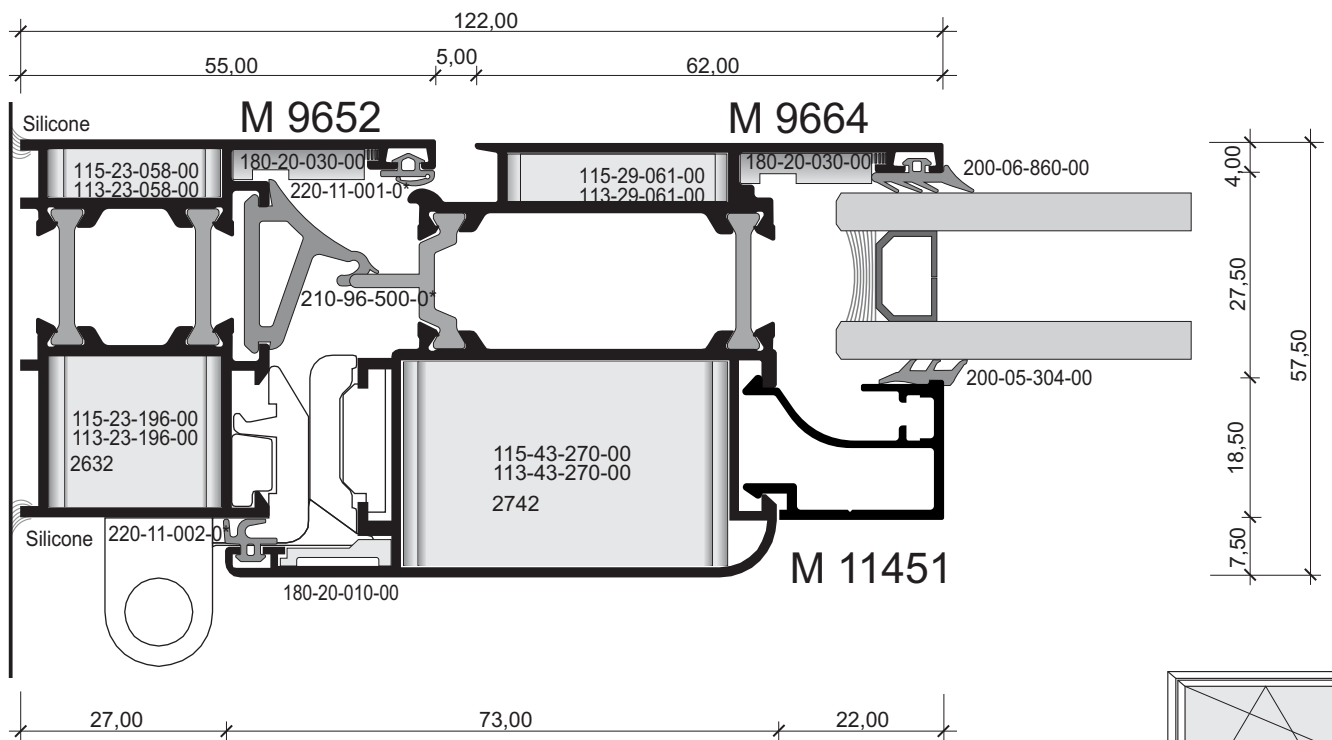
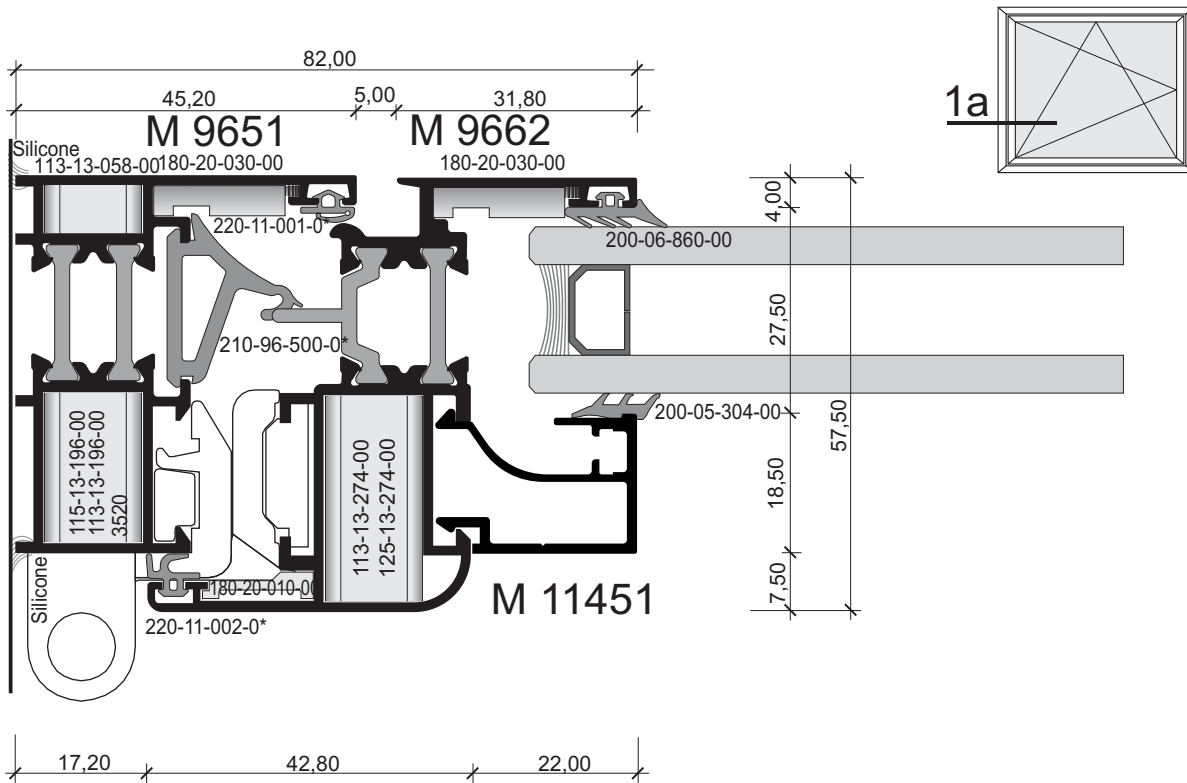
LAJSNA ZA STAKLO

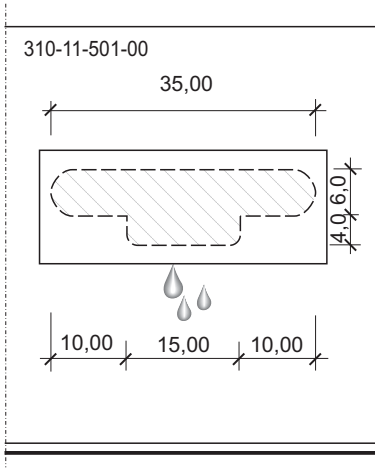
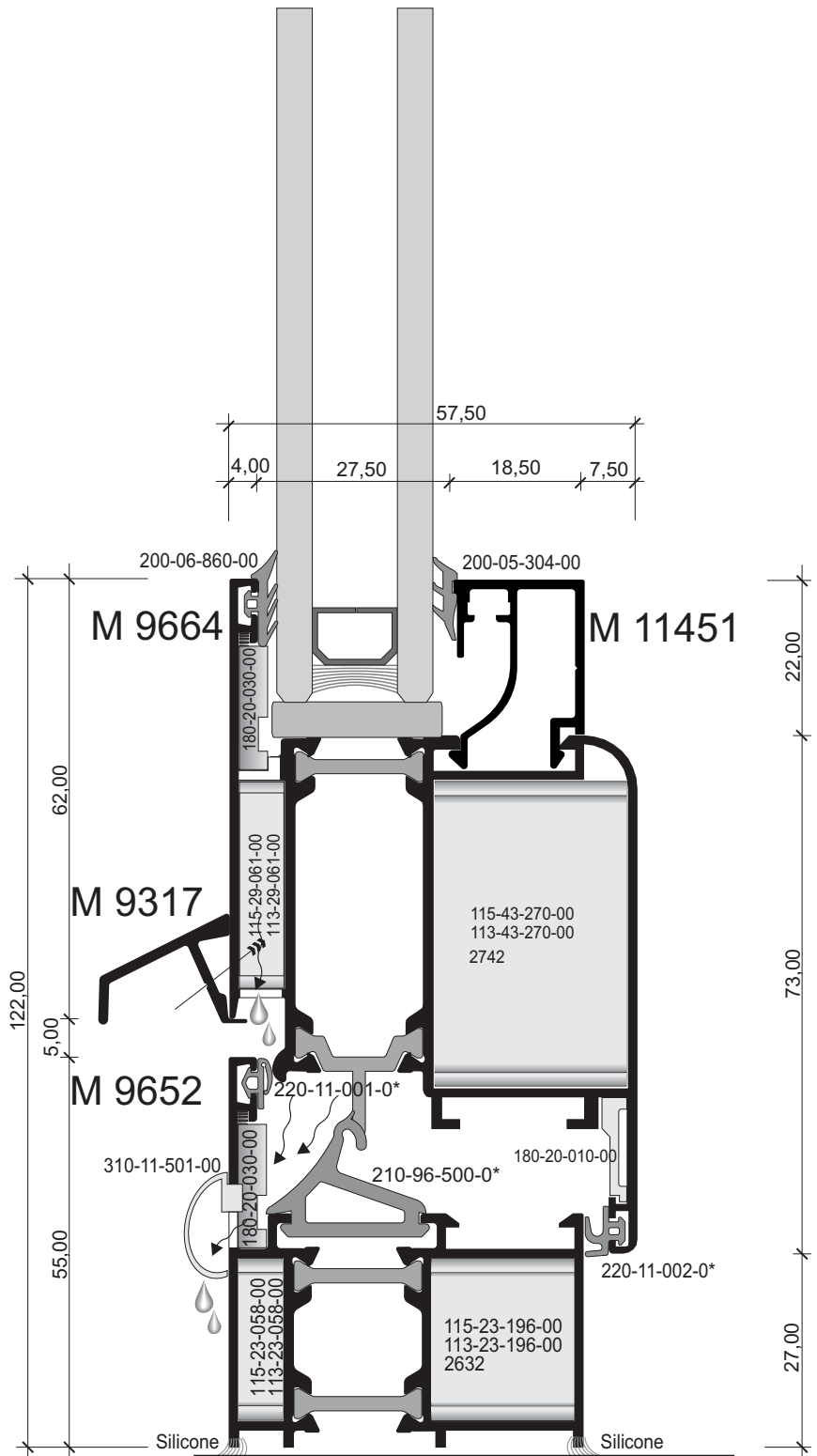
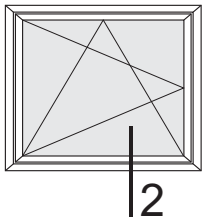
GLAZING BEAD

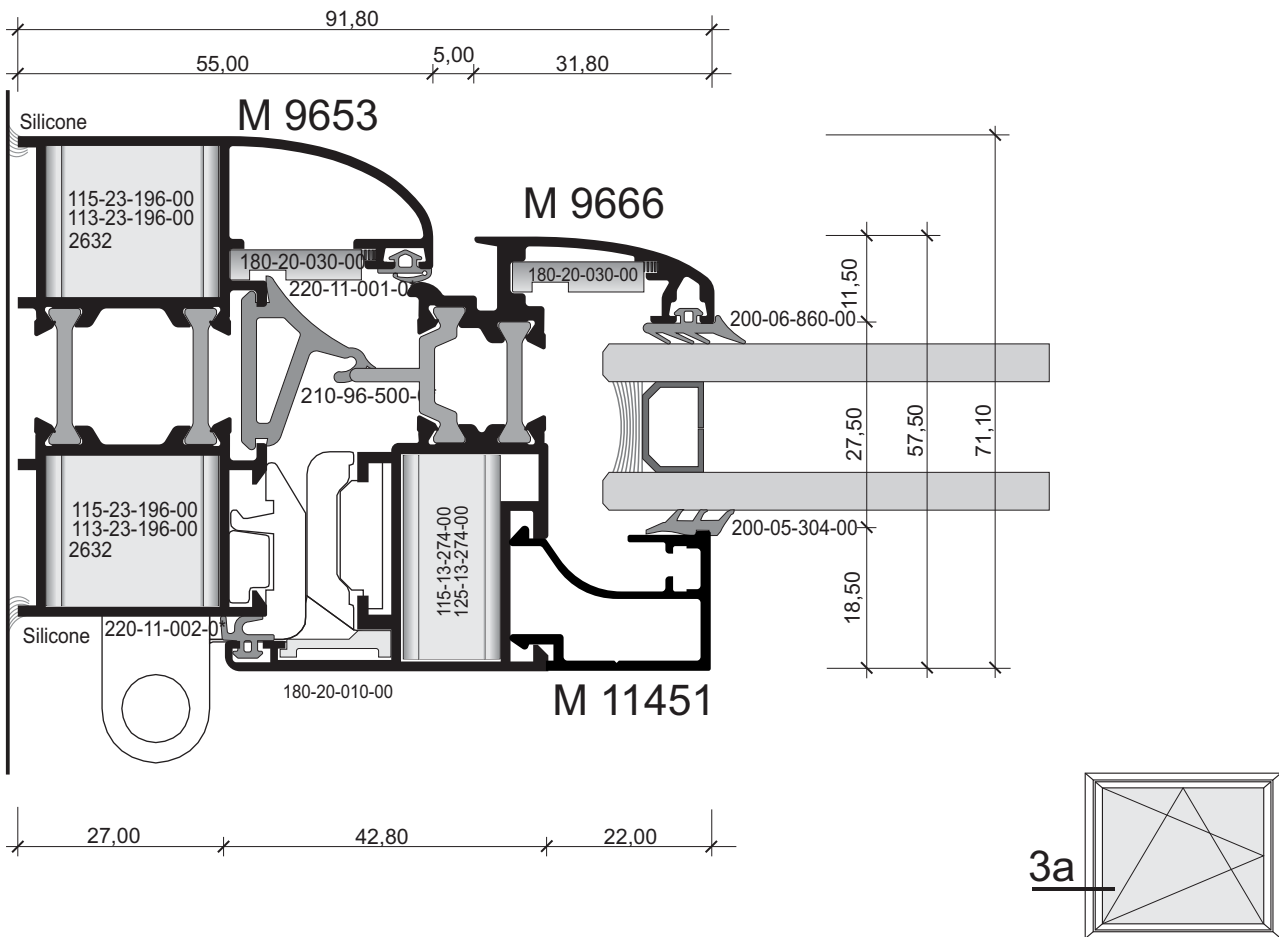
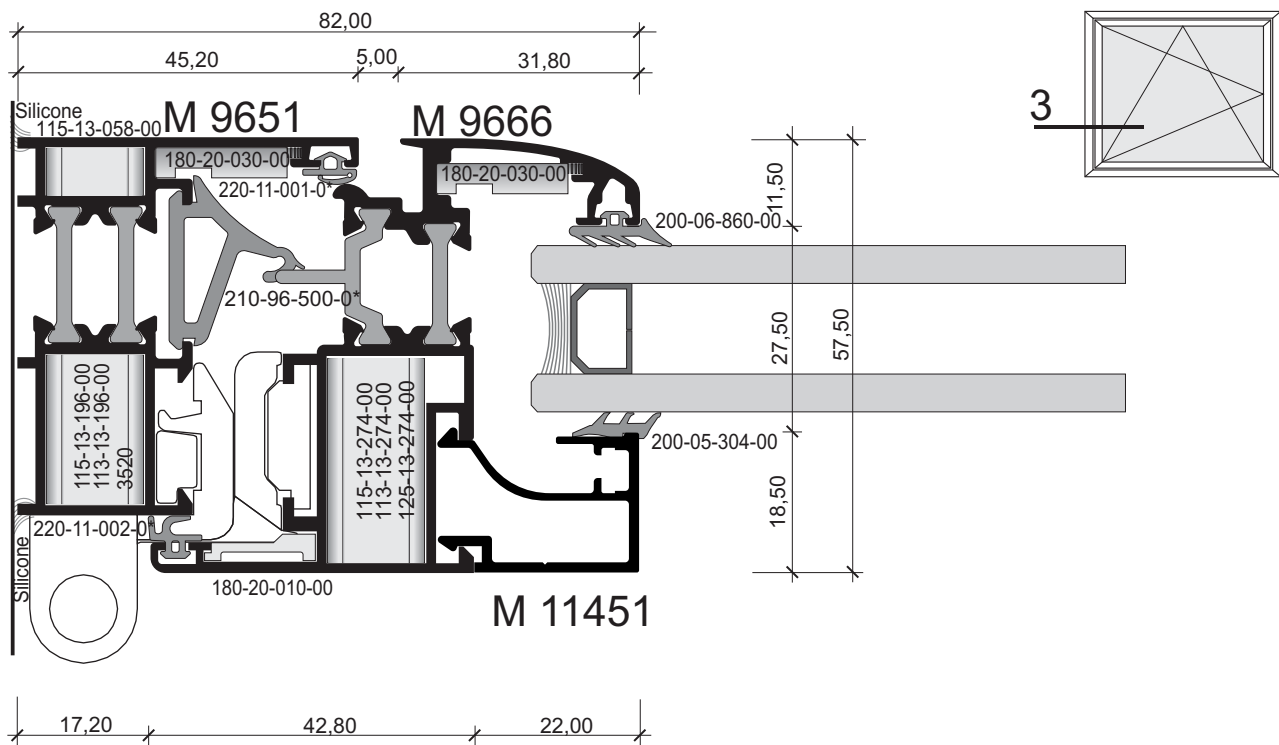


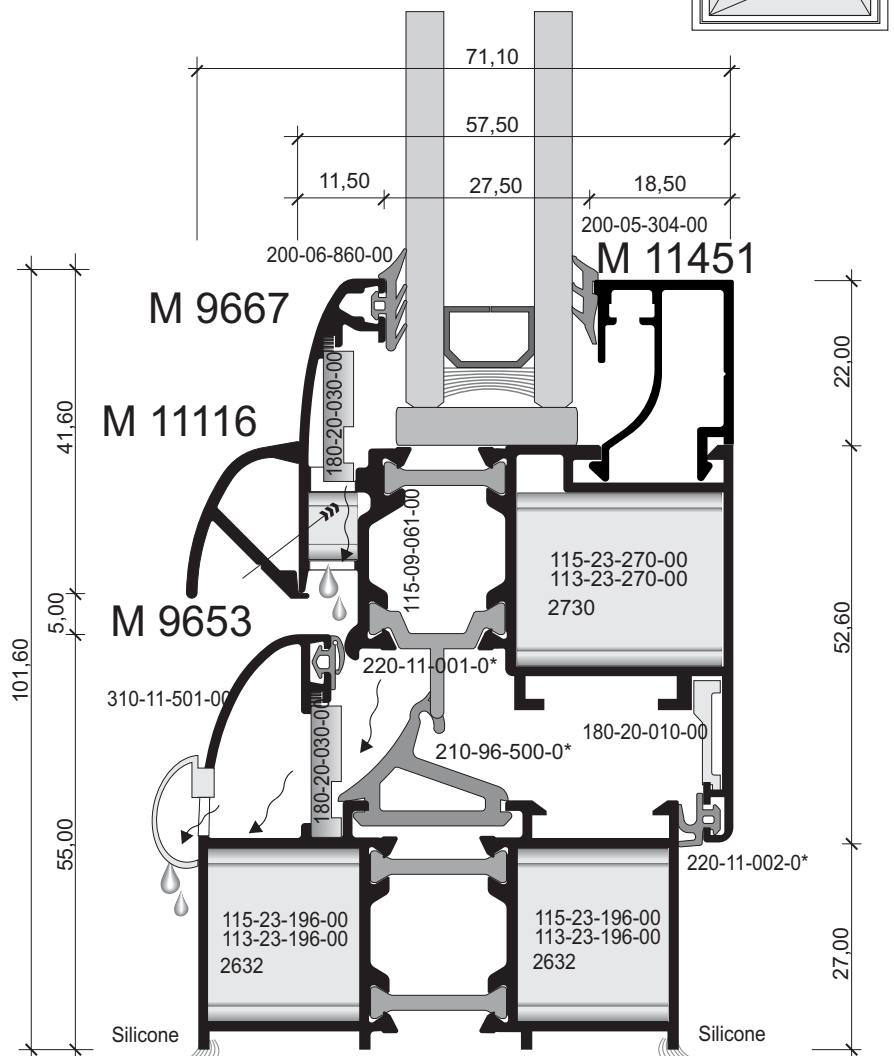
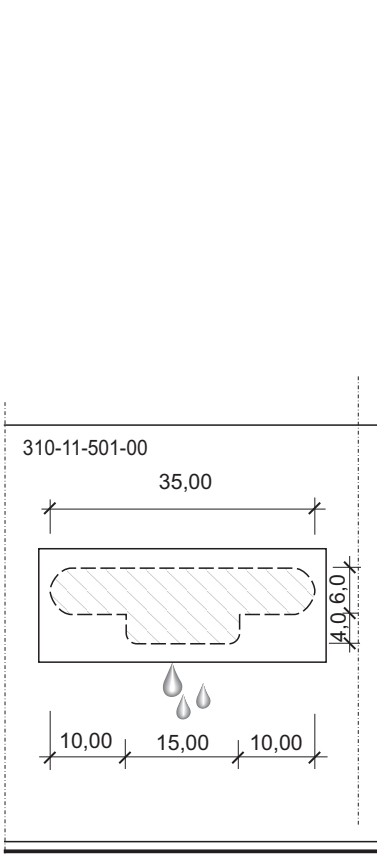
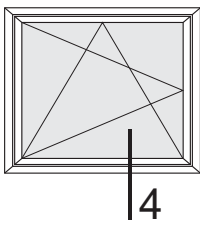
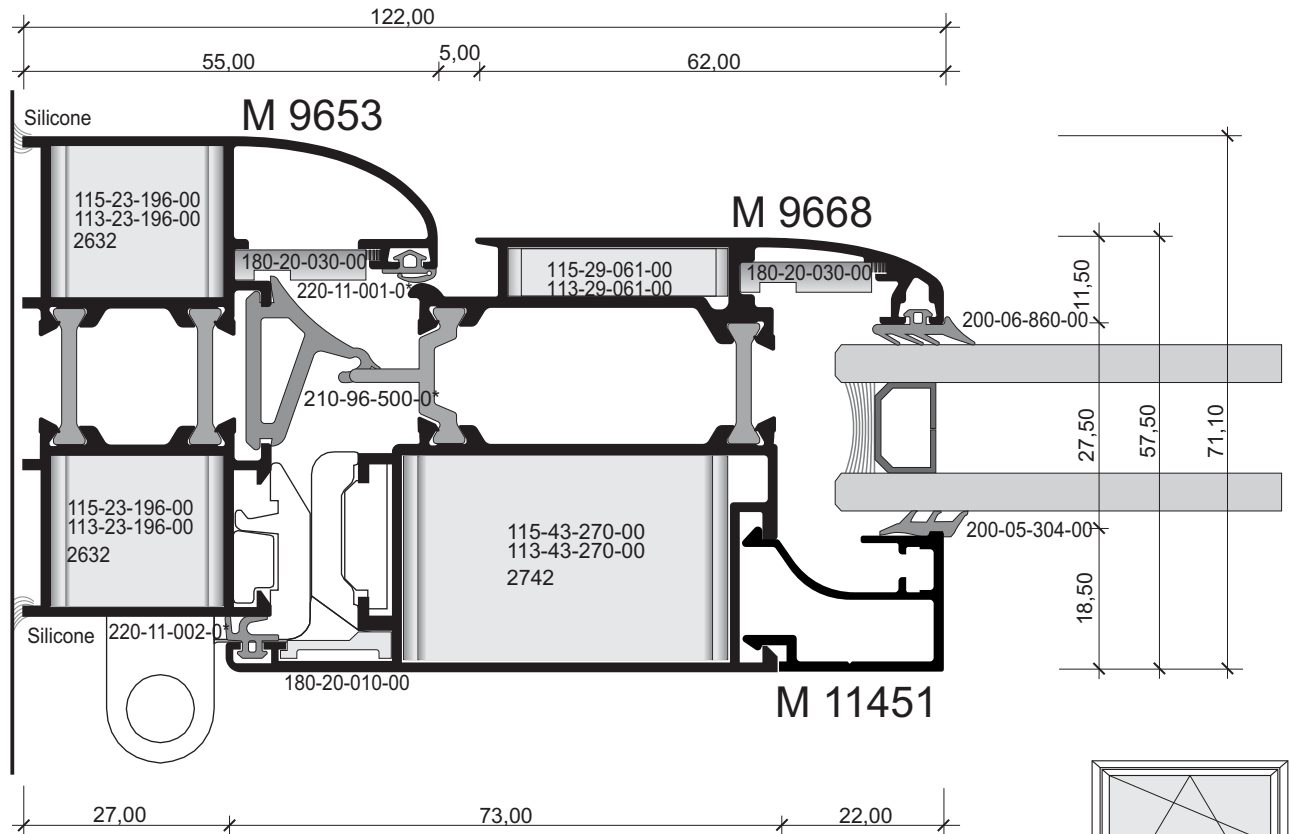
DEBLJINA ISPUNE / GLAZING TICKNESS: 28mm

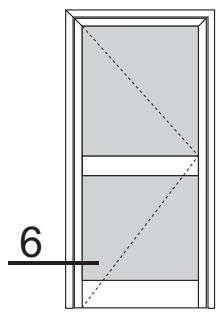
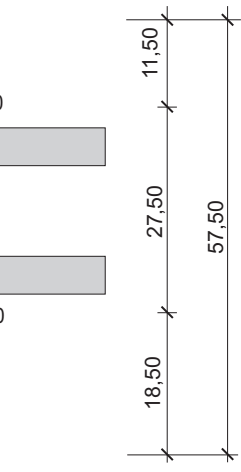
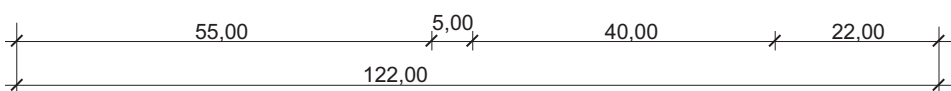
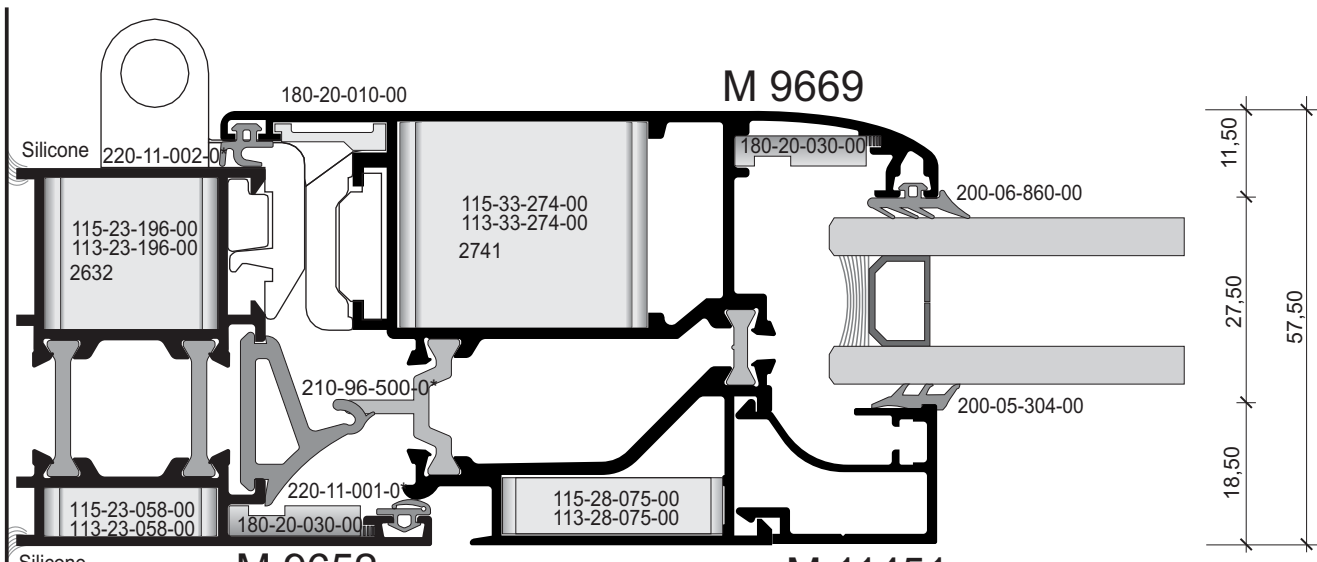
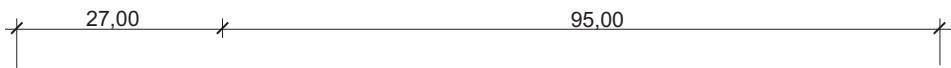
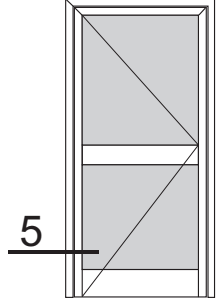
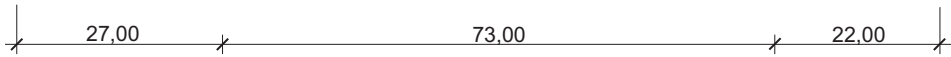
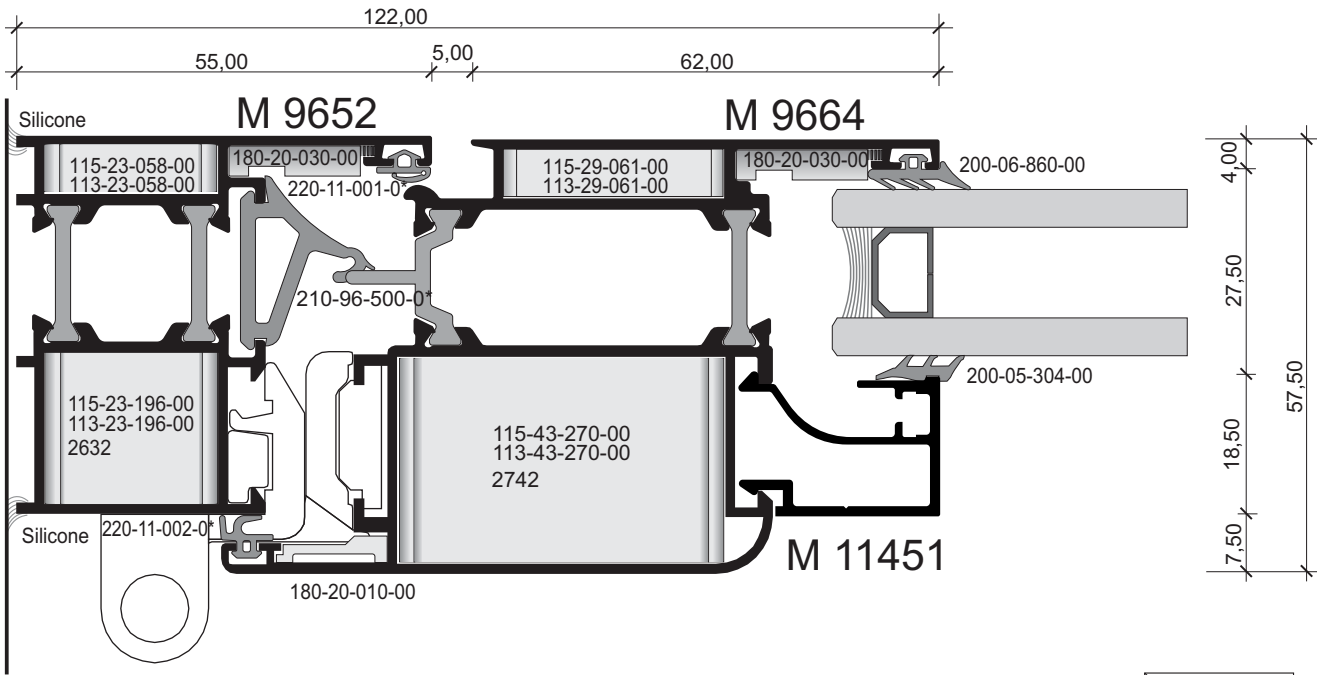
Presjeci Sections

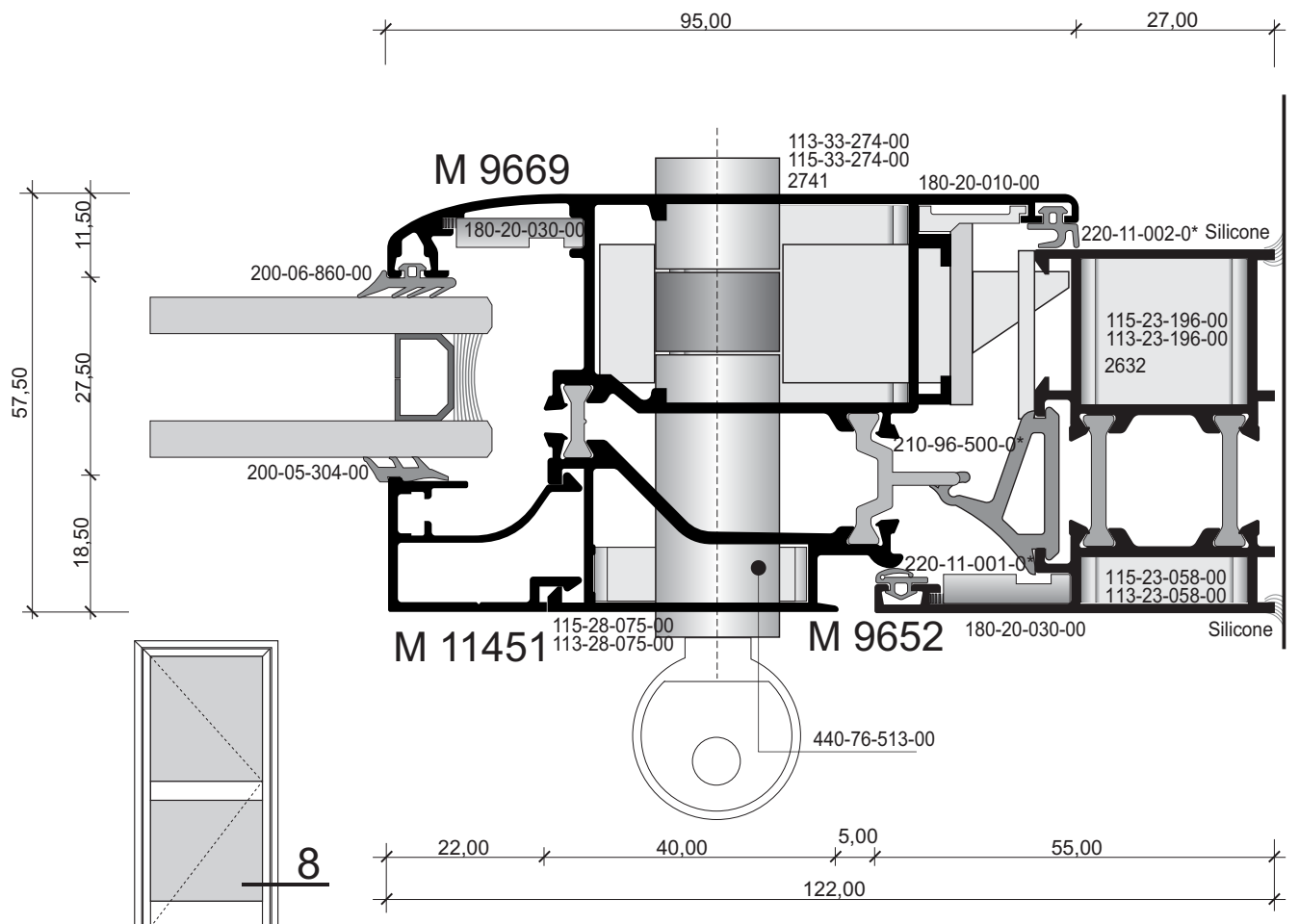
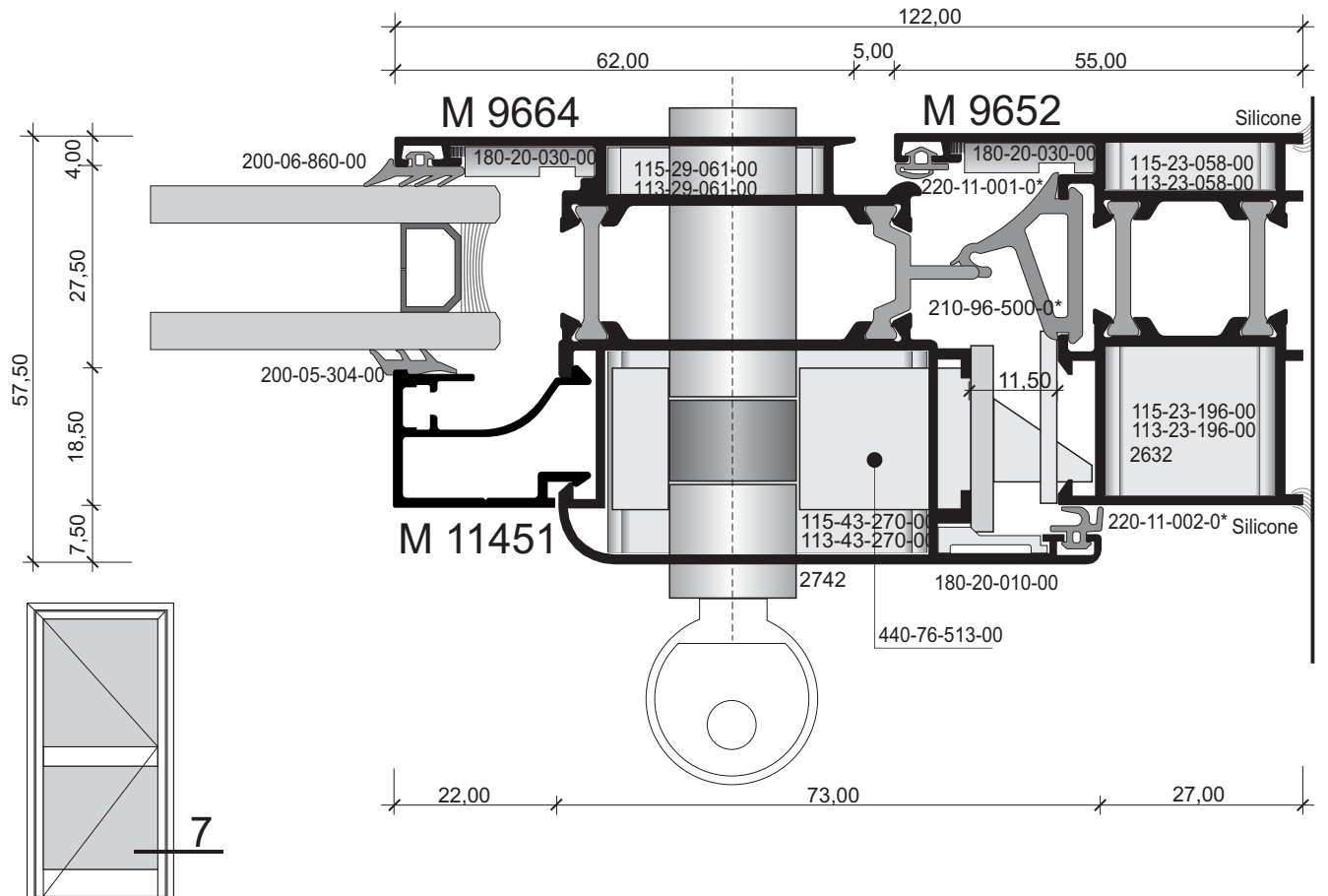


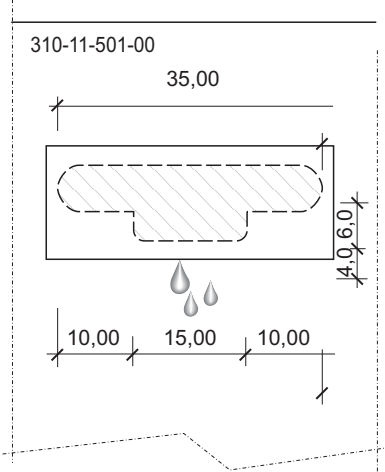
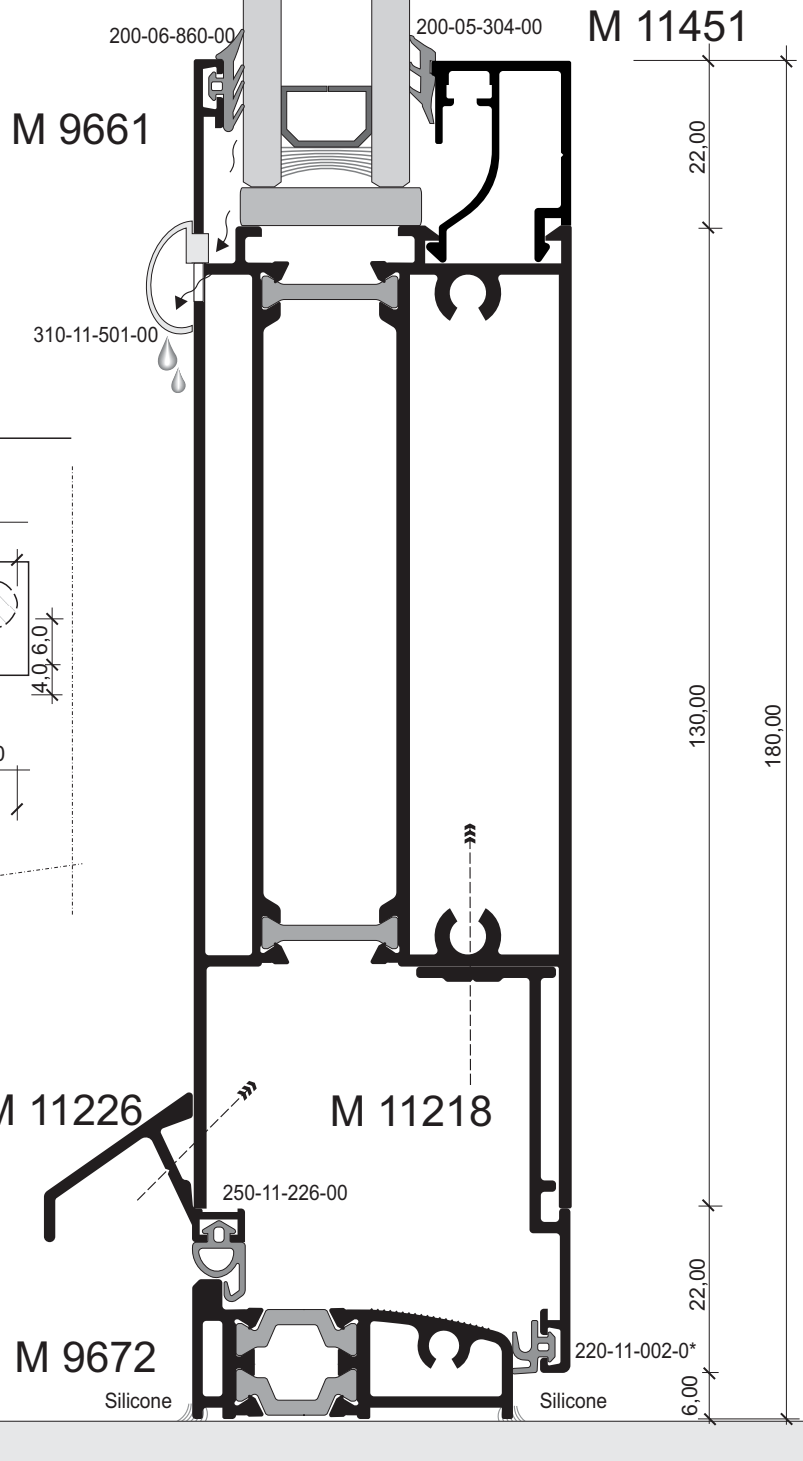
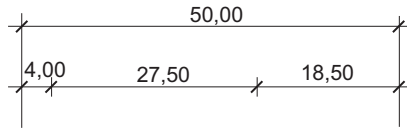
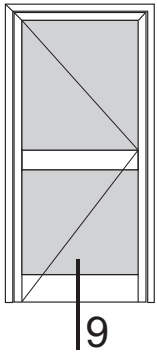


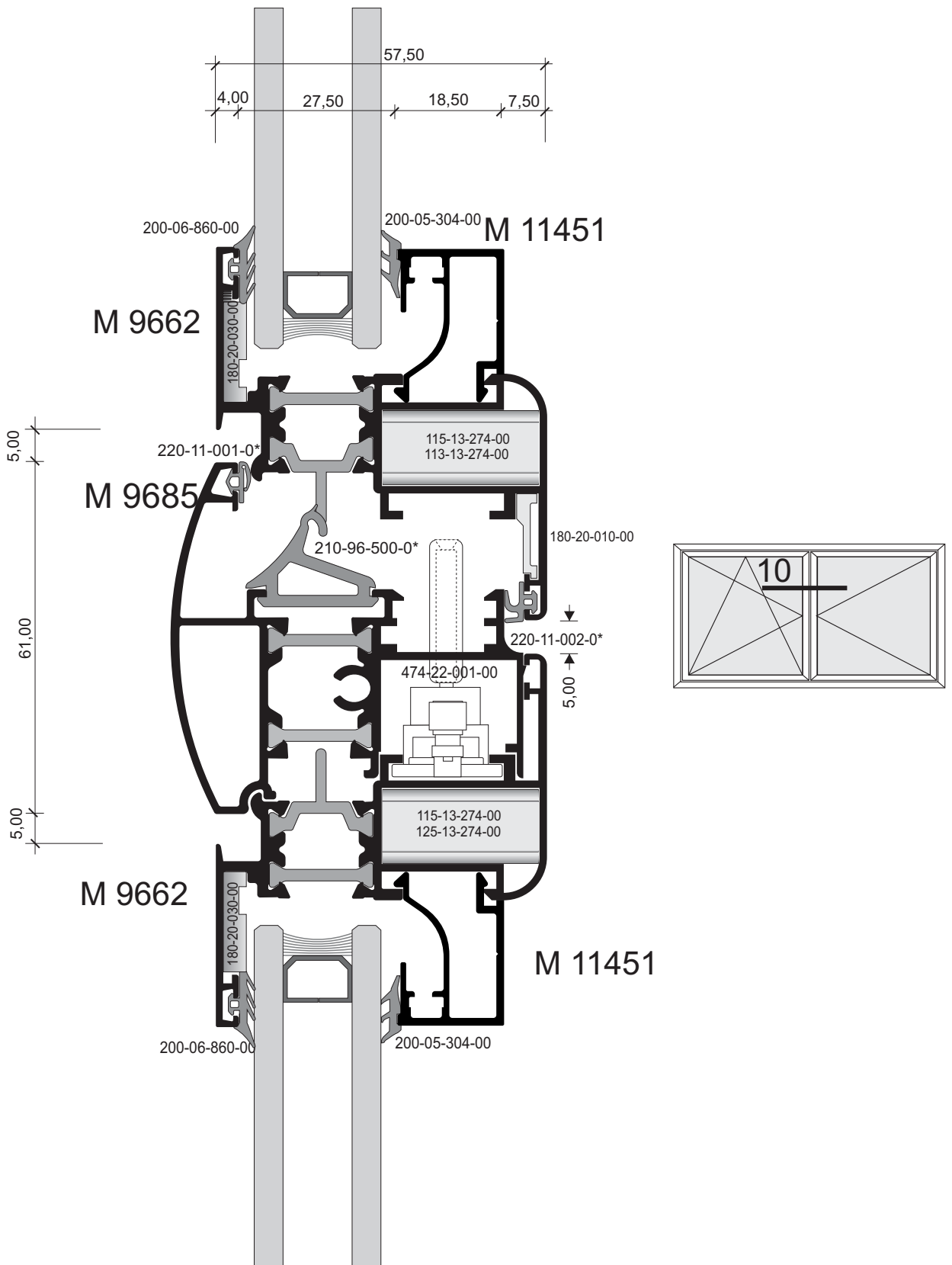






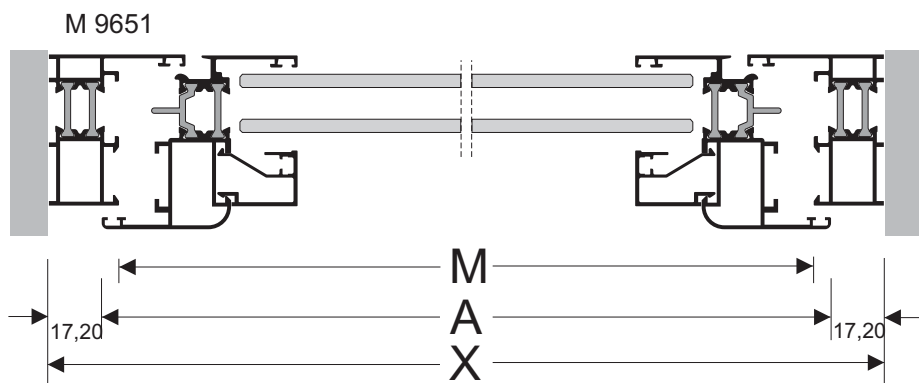




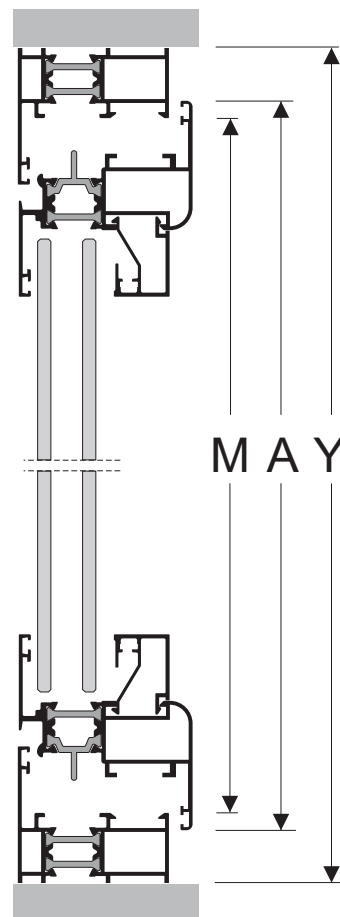
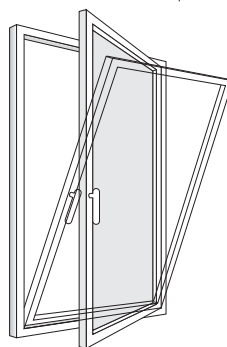


Analiza sječenja Cutting Analysis

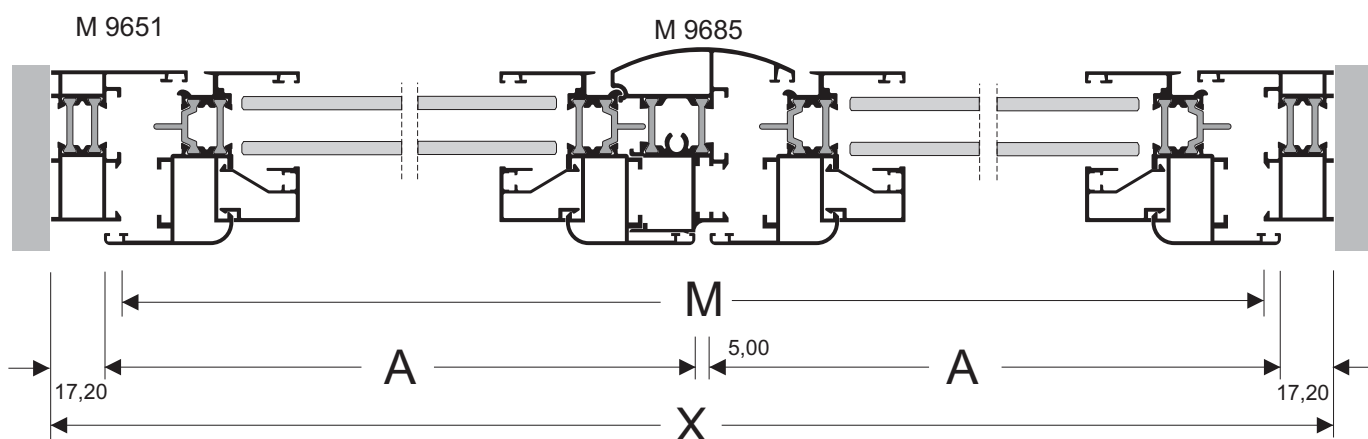
JEDNOKRILNI PROZOR/ OKRETNO-NAGIBNI
SINGLE LEAF CASEMENT/ TILT-N-TURN WINDOW



VISINA ILI ŠIRINA KRILA
(HEIGHT OR WIDTH OF SASH) ili (or)
 $A = Y - 34,4\text{mm}$
 $A = M + 12\text{ mm}$

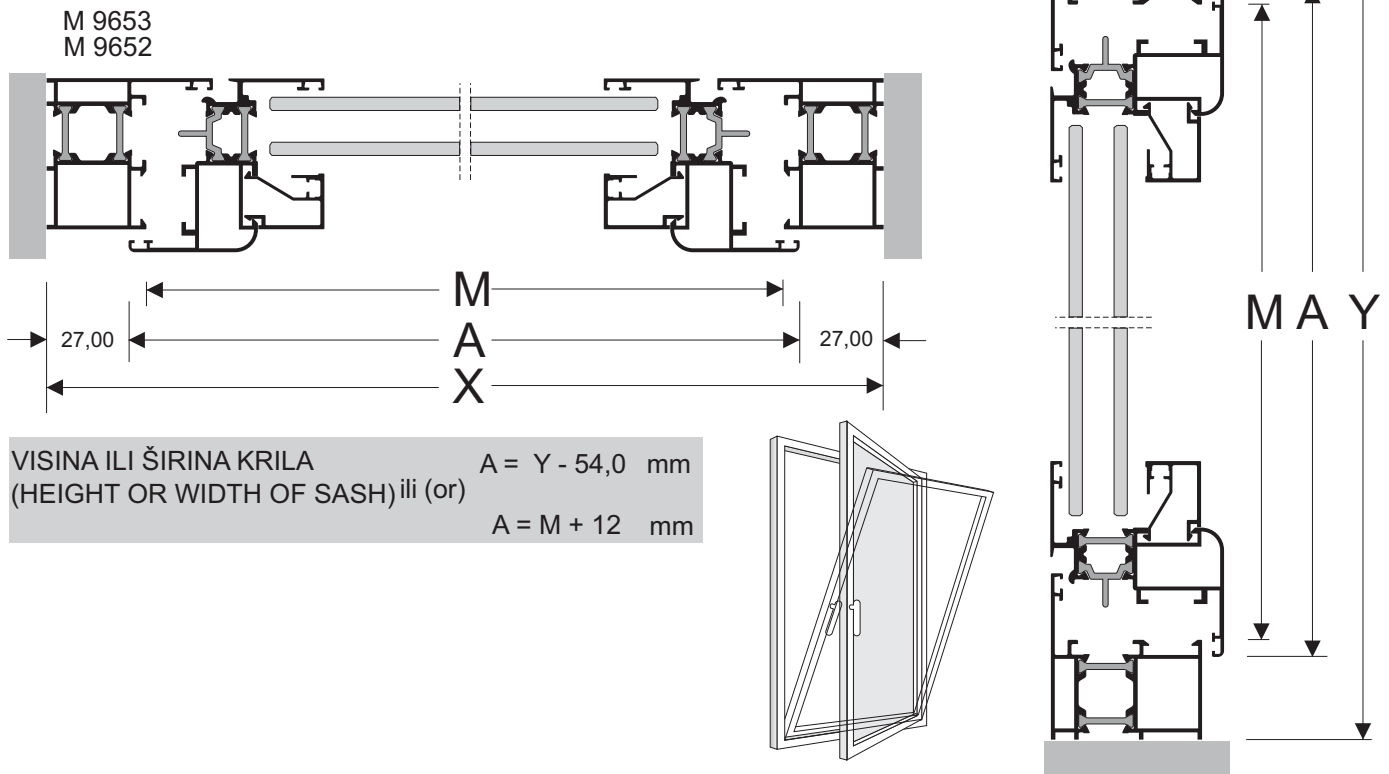
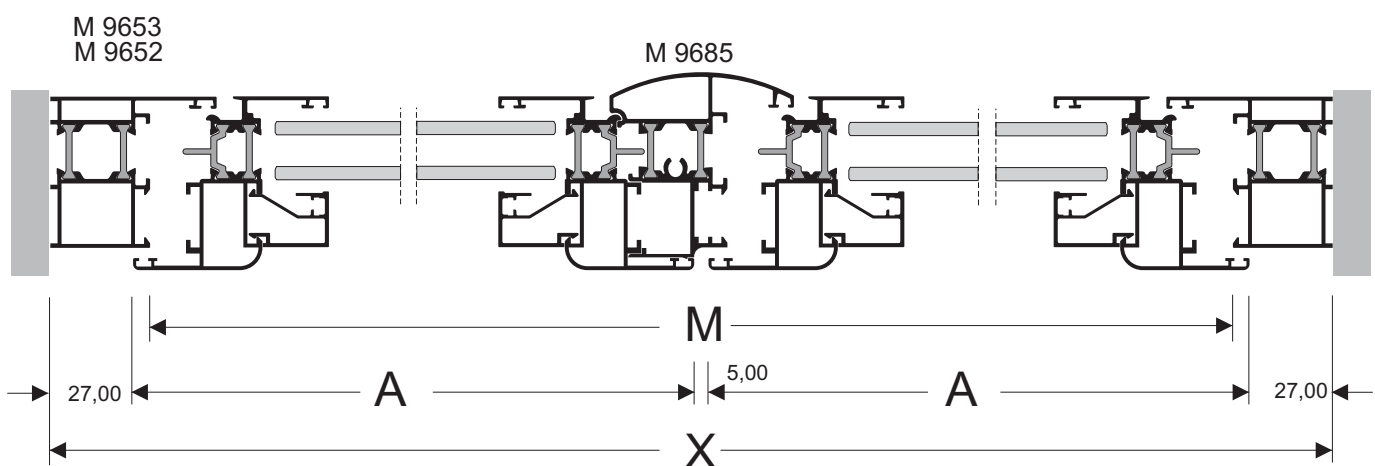


DVOKRILNI PROZOR/ OKRETNO-NAGIBNI
DOUBLE LEAF CASEMENT/ TILT-N-TURN WINDOW

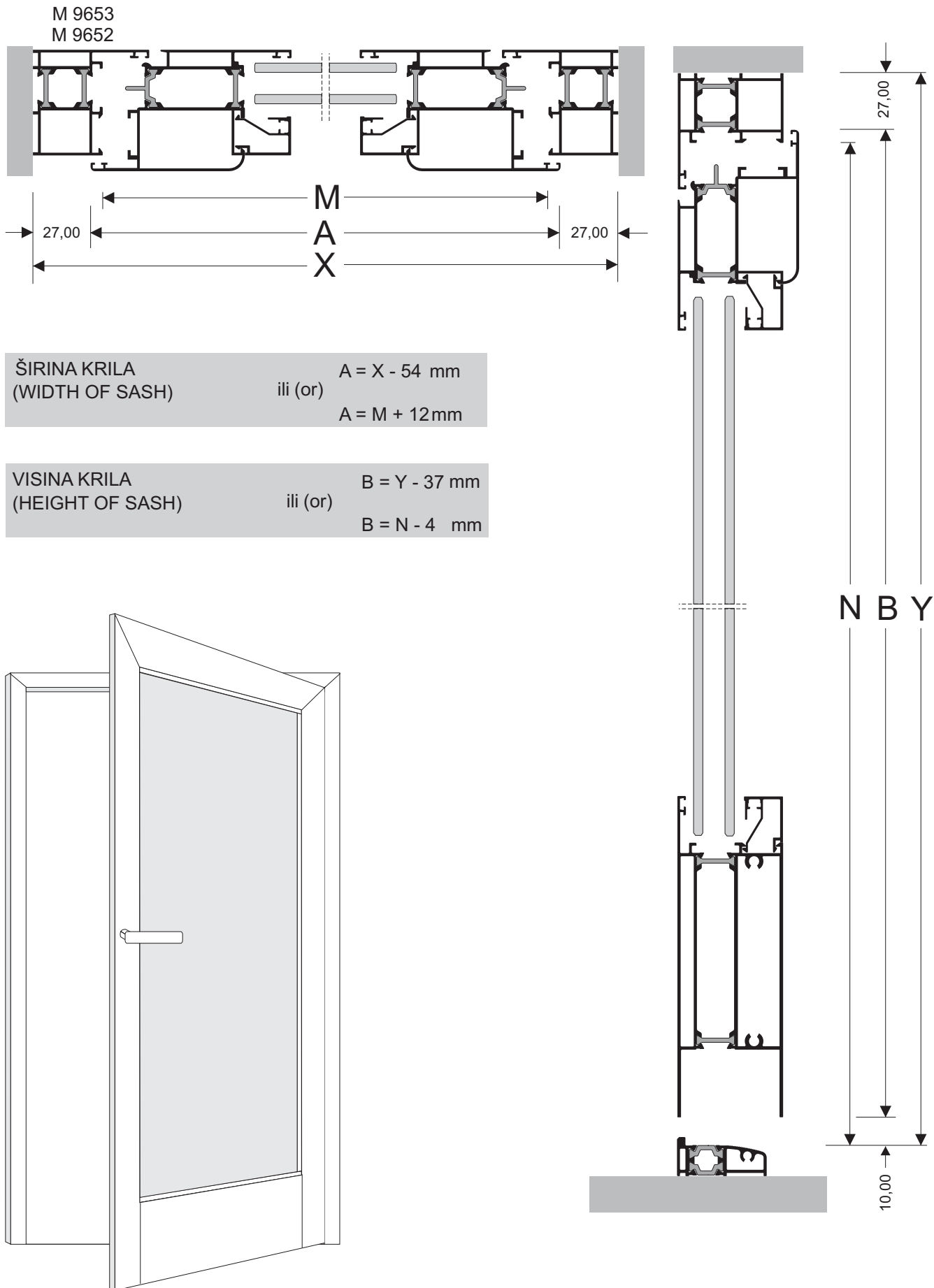


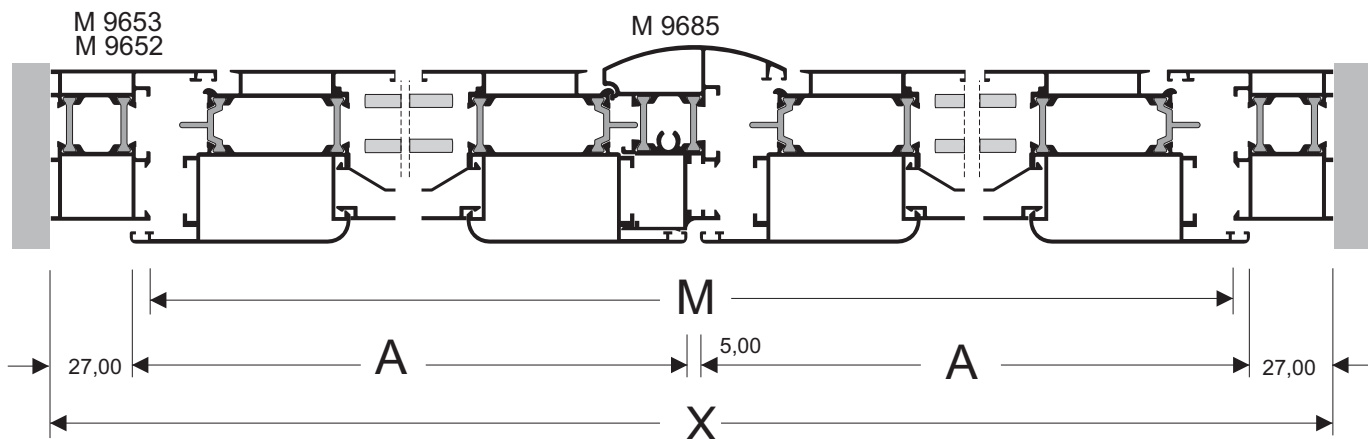
ŠIRINA KRILA
(WIDTH OF SASH) $A = \frac{X - 39,4}{2}$ mm ili (or) $A = \frac{M + 7}{2}$ mm

VISINA KRILA
(HEIGHT OF SASH) $A = Y - 34,4\text{ mm}$ ili (or) $A = M + 12\text{ mm}$

JEDNORILNI PROZOR/ OKRETNO-NAGIBNI
SINGLE LEAF CASEMENT/ TILT-N-TURN WINDOW

DVOKRILNI PROZOR/ OKRETNO-NAGIBNI
DOUBLE LEAF CASEMENT/ TILT-N-TURN WINDOW


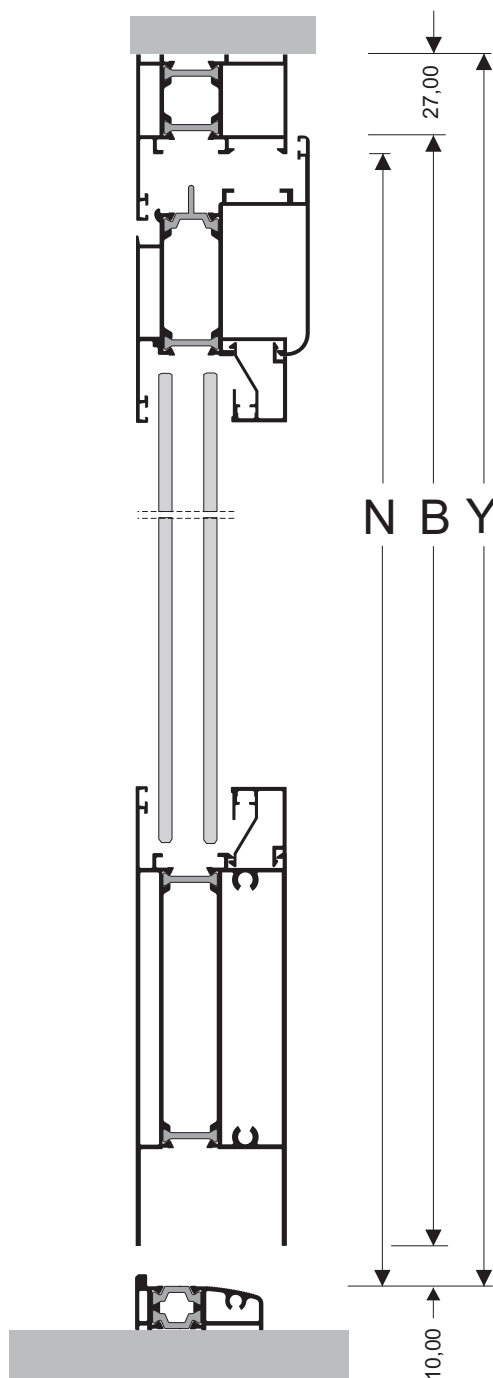
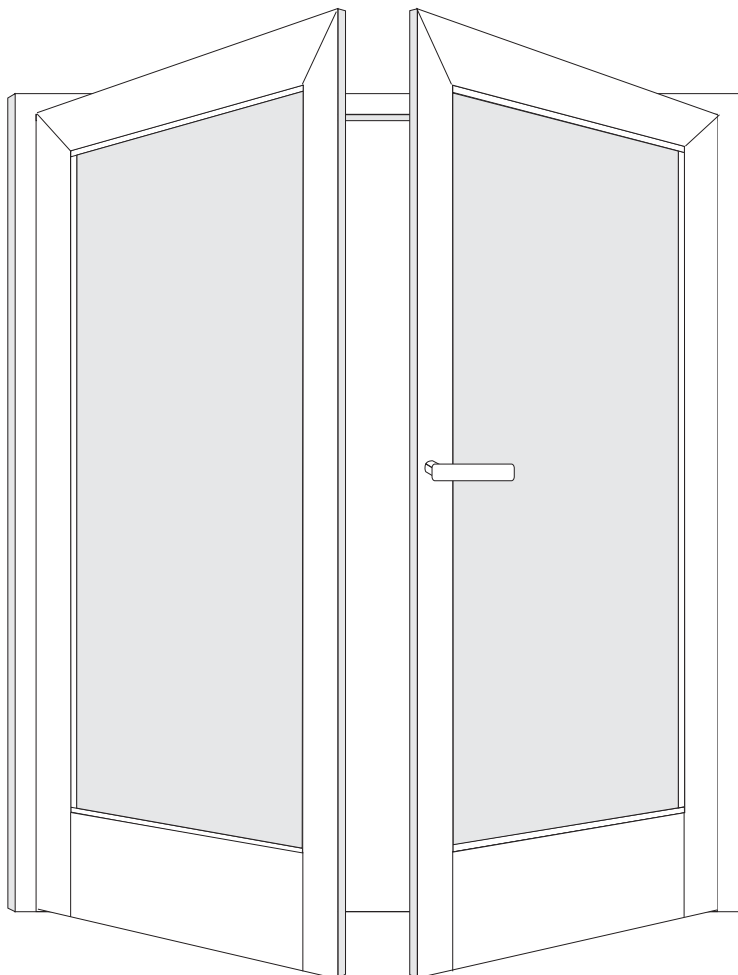
VRATA
DOOR









DVOKRILNA VRATA
 DOUBLE DOOR










ŠIRINA KRILA
 (WIDTH OF SASH) $A = \frac{X - 59}{2}$ mm ili (or) $A = \frac{M + 7}{2}$ mm

VISINA KRILA
 (HEIGHT OF SASH) ili (or) $B = Y - 37$ mm
 $B = N - 4$ mm




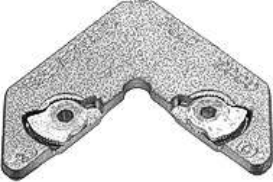





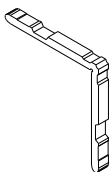
Pribori i okovi Accessories

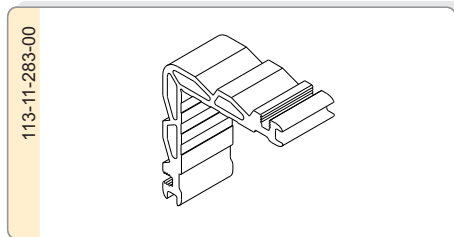
<p>110-09-061-00</p> 	<p>KAT. BR. : 110-09-061-00 ART No : 113-09-061-00</p> <p>Stock No :</p> <p>OPIS : KRUTA UGAONA VEZA DESCRIPTION PRESS CORNER</p> <p>MATERIJAL / MATERIAL ALUMINIJUM / ALUMINIUM</p> <p>KAT.BR. : ART No :</p> <p>BOJA : SIROVO COLOR : MILL FINISH</p> <p>PAKOVANJE : PACKAGE :</p> <p>DIMENZIJE : DIMENSION :</p>
<p>115-13-***-**</p> 	<p>KAT.BR.:115-13-***-** ART No :113-13-***-**</p> <p>Stock No :</p> <p>OPIS : KRUTA UGAONA VEZA DESCRIPTION PRESS CORNER</p> <p>MATERIJAL / MATERIAL ALUMINIJUM / ALUMINIUM</p> <p>KAT.BR. : 11*-13-058-00, 11*-13-196-00, ART No : 11*-13-270-00</p> <p>BOJA : SIROVO COLOR : MILL FINISH</p> <p>PAKOVANJE : PACKAGE :</p> <p>DIMENZIJE : DIMENSION :</p>
<p>115-23-***-**</p> 	<p>KAT.BR. 115-23-***-** ART No :113-23-***-**</p> <p>Stock No :</p> <p>OPIS : KRUTA UGAONA VEZA DESCRIPTION PRESS CORNER</p> <p>MATERIJAL / MATERIAL ALUMINIJUM / ALUMINIUM</p> <p>KAT.BR. : 11*-23-058-00, 11*-23-156-00, ART No : 11*-23-196-00, 11*-23-270-00</p> <p>BOJA : SIROVO COLOR : MILL FINISH</p> <p>PAKOVANJE : PACKAGE :</p> <p>DIMENZIJE : DIMENSION :</p>
<p>115-29-***-**</p> 	<p>KAT.BR. 115-29-***-** ART No :113-29-***-**</p> <p>Stock No :</p> <p>OPIS : KRUTA UGAONA VEZA DESCRIPTION PRESS CORNER</p> <p>MATERIJAL / MATERIAL ALUMINIJUM / ALUMINIUM</p> <p>KAT.BR. : 11*-29-061-00, 11*-29-075-00 ART No :</p> <p>BOJA : SIROVO COLOR : MILL FINISH</p> <p>PAKOVANJE : PACKAGE :</p> <p>DIMENZIJE : DIMENSION :</p>
<p>115-33-***-**</p> 	<p>KAT.BR. 115-33-***-** ART No :113-33-***-**</p> <p>Stock No :</p> <p>OPIS : KRUTA UGAONA VEZA DESCRIPTION PRESS CORNER</p> <p>MATERIJAL / MATERIAL ALUMINIJUM / ALUMINIUM</p> <p>KAT.BR. : 11*-33-270-00, 11*-33-056-00, ART No : 11*-33-196-00</p> <p>BOJA : SIROVO COLOR : MILL FINISH</p> <p>PAKOVANJE : PACKAGE :</p> <p>DOMENZIJE : DIMENSION :</p>
<p>115-43-270-00</p> 	<p>KAT.BR. 115-43-270-00 ART No :113-43-270-00</p> <p>Stock No :</p> <p>OPIS : KRUTA UGAONA VEZA DESCRIPTION PRESS CORNER</p> <p>MATERIJAL / MATERIAL ALUMINIJUM / ALUMINIUM</p> <p>KAT.BR. : ART No :</p> <p>BOJA : SIROVO COLOR : MILL FINISH</p> <p>PAKOVANJE : PACKAGE :</p> <p>DIMENZIJE : DIMENSION :</p>
<p>3520</p> 	<p>KAT.BR. 3520 ART No :3520</p> <p>Stock No :</p> <p>OPIS : RASTAVLJIVA VEZA DESCRIPTION SCREW CORNER</p> <p>MATERIJAL / MATERIAL ALUMINIJUM / ALUMINIUM</p> <p>KAT.BR. : ART No :</p> <p>BOJA : SIROVO COLOR : MILL FINISH</p> <p>PAKOVANJE : PACKAGE :</p> <p>DIMENZIJE :12.8x19.2 DIMENSION :</p>
<p>2633</p> 	<p>KAT.BR. 2633 ART No :2633</p> <p>Stock No :</p> <p>OPIS : RASTAVLJIVA VEZA DESCRIPTION SCREW CORNER</p> <p>MATERIJAL / MATERIAL ALUMINIJUM / ALUMINIUM</p> <p>KAT.BR. : ART No :</p> <p>BOJA : SIROVO COLOR : MILL FINISH</p> <p>PAKOVANJE : PACKAGE :</p> <p>DIMENZIJE :12.8x26.4 DIMENSION :</p>

2730		KAT.BR. : ART No : 2730	Stock No :	OPIS : RASTAVLJIVA VEZA DESCRIPTION SCREW CORNER MATERIJAL / MATERIAL : ALUMINIJUM / ALUMINIUM KAT.BR. : ART No :	BOJA : SIROVO COLOR : MILL FINISH PAKOVANJE : PACKAGE : DIMENZIJE 22.6x26.4 DIMENSION :
2632		KAT.BR. : ART No : 2632	Stock No :	OPIS : RASTAVLJIVA VEZA DESCRIPTION SCREW CORNER MATERIJAL / MATERIAL : ALUMINIJUM / ALUMINIUM KAT.BR. : ART No :	BOJA : SIROVO COLOR : MILL FINISH PAKOVANJE : PACKAGE : DIMENZIJE 22.6x19.2 DIMENSION :
3522		KAT.BR. : ART No : 3522	Stock No :	OPIS : RASTAVLJIVA VEZA DESCRIPTION SCREW CORNER MATERIJAL / MATERIAL : ALUMINIJUM / ALUMINIUM KAT.BR. : ART No :	BOJA : SIROVO COLOR : MILL FINISH PAKOVANJE : PACKAGE : DIMENZIJE 32.7x19.2 DIMENSION :
2742		KAT.BR. : ART No : 2742	Stock No :	OPIS : RASTAVLJIVA VEZA DESCRIPTION SCREW CORNER MATERIJAL / MATERIAL : ALUMINIJUM / ALUMINIUM KAT.BR. : ART No :	BOJA : SIROVO COLOR : MILL FINISH PAKOVANJE : PACKAGE : DIMENZIJE 42.9x26.4 DIMENSION :
2741		KAT.BR. : ART No : 2741	Stock No :	OPIS : RASTAVLJIVA VEZA DESCRIPTION SCREW CORNER MATERIJAL / MATERIAL : ALUMINIJUM / ALUMINIUM KAT.BR. : ART No :	BOJA : SIROVO COLOR : MILL FINISH PAKOVANJE : PACKAGE : DIMENZIJE 32.7x26.4 DIMENSION :
160-11-***-**		KAT.BR. : ART No : 160-11-***-**	Stock No :	OPIS : VEZA ZA "T" PREČKU DESCRIPTION T - CONNECTOR MATERIJAL / MATERIAL : ALUMINIJUM / ALUMINIUM KAT.BR. : ART No :	BOJA : SIROVO COLOR : MILL FINISH PAKOVANJE : PACKAGE : DIMENZIJE : DIMENSION :
470-11-835-00		KAT.BR. : ART No : 470-11-835-00	Stock No :	OPIS : KLIN ZA "T" PREČKU Ø 6 DESCRIPTION : BREAK AWAY NAIL FOR T -PROFILE MATERIJAL / MATERIAL : ČELIK / STEEL KAT.BR. : ART No :	BOJA : COLOR : PAKOVANJE : PACKAGE : DIMENZIJE : DIMENSION :
165-20-230-00		KAT.BR. : ART No : 165-20-230-00	Stock No :	OPIS : LIVENA SPOJNICA ZA T PREČKU DESCRIPTION "T" CONNECTOR MATERIJAL / MATERIAL : LIVENI AL / CAST ALUMINIUM KAT.BR. : ART No :	BOJA : SIROVO COLOR : MILL FINISH PAKOVANJE : PACKAGE : DIMENZIJE : DIMENSION :

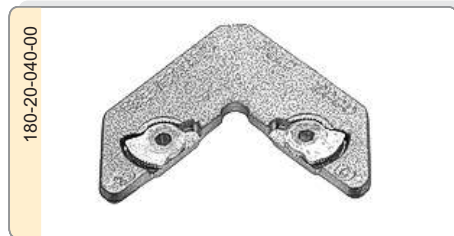
<p>165-20-330-00</p> 	<p>KAT.BR. : ART No : 165-20-330-00 Stock No :</p> <p>OPIS : LIVENA SPOJINCA ZA T PREČKU DESCRIPTION : "T" CONNECTOR</p> <p>MATERIJAL / MATERIAL : LIVENI AL / CAST ALUMINIUM</p> <p>KAT.BR. : ART No :</p> <p>BOJA : SIROVO COLOR : MILL FINISH</p> <p>PAKOVANJE : PACKAGE :</p> <p>DIMENZIJE : DIMENSION :</p>
<p>165-00-001-00</p> 	<p>KAT.BR. : ART No : 165-00-001-00 Stock No :</p> <p>OPIS : ŠABLON DESCRIPTION : DRILLING GUIDE</p> <p>MATERIJAL / MATERIAL : LIVENI AL / CAST ALUMINIUM</p> <p>KAT.BR. : ART No :</p> <p>BOJA : SIROVO COLOR : MILL FINISH</p> <p>PAKOVANJE : PACKAGE :</p> <p>DIMENZIJE : DIMENSION :</p>
<p>165-11-002-00</p> 	<p>KAT.BR. : ART No : 165-96-502-00 Stock No :</p> <p>OPIS : DODATNA VEZA T PRECKE(lijeva) DESCRIPTION : ALIGNMENT CORNER</p> <p>MATERIJAL / MATERIAL : LIVENI AL / CAST ALUMINIUM</p> <p>KAT.BR. : ART No :</p> <p>BOJA : SIROVO COLOR : MILL FINISH</p> <p>PAKOVANJE : PACKAGE :</p> <p>DIMENZIJE : DIMENSION :</p>
<p>165-11-001-00</p> 	<p>KAT.BR. : ART No : 165-96-501-00 Stock No :</p> <p>OPIS : DODATNA VEZA T PRECKE(desna) DESCRIPTION : ALIGNMENT CORNER</p> <p>MATERIJAL / MATERIAL : LIVENI AL / CAST ALUMINIUM</p> <p>KAT.BR. : ART No :</p> <p>BOJA : SIROVO COLOR : MILL FINISH</p> <p>PAKOVANJE : PACKAGE :</p> <p>DIMENZIJE : DIMENSION :</p>
<p>310-11-501-00</p> 	<p>KAT.BR. : ART No : 310-11-501-00 Stock No :</p> <p>OPIS : ČEP ZA TEHNOLOSKI OTVOR DESCRIPTION : WATER CAP</p> <p>MATERIJAL / MATERIAL : POLIAMID / POLYAMIDE</p> <p>KAT.BR. : ART No :</p> <p>BOJA : CRNA/BIJELA COLOR : BLACK/WHITE</p> <p>PAKOVANJE : PACKAGE :</p> <p>DIMENZIJE : DIMENSION :</p>
<p>300-09-665-00</p> 	<p>KAT.BR. : ART No : 300-09-665-00 Stock No :</p> <p>OPIS : ČEP ZA SREDNJU PREČKU DESCRIPTION : END COVER</p> <p>MATERIJAL / MATERIAL : POLIAMID / POLYAMIDE</p> <p>PROFIL : M9665 PROFILE :</p> <p>BOJA : CRNA COLOR : BLACK</p> <p>PAKOVANJE : PACKAGE :</p> <p>DIMENZIJE : DIMENSION :</p>
<p>300-09-685-00</p> 	<p>KAT.BR. : ART No : 300-09-685-00 Stock No :</p> <p>OPIS : ČEP ZA SREDNJU PREČKU DESCRIPTION : END COVER</p> <p>MATERIJAL / MATERIAL : POLIAMID / POLYAMIDE</p> <p>PROFIL : M9685 PROFILE :</p> <p>BOJA : CRNA COLOR : BLACK</p> <p>PAKOVANJE : PACKAGE :</p> <p>DIMENZIJE : DIMENSION :</p>
<p>310-09-681-00</p> 	<p>KAT.BR. : ART No : 310-09-681-00 Stock No :</p> <p>OPIS : ČEP ZA PROFIL M9681 DESCRIPTION : END COVER</p> <p>MATERIJAL / MATERIAL : POLIAMID / POLYAMIDE</p> <p>PROFIL : M9681 PROFILE :</p> <p>BOJA : CRNA COLOR : BLACK</p> <p>PAKOVANJE : PACKAGE :</p> <p>DIMENZIJE : DIMENSION :</p>

310-09-673-00		KAT.BR. / ART No.: 310-09-673-00 Stock No :	OPIS : ČEP ZA PROFIL M9673 DESCRIPTION : END COVER	BOJA : CRNA COLOR : BLACK
			MATERIJAL / MATERIAL: POLIAMID / POLYAMIDE	PAKOVANJE : PACKAGE :
			PROFIL : M 9673 PROFILE :	DIMENZIJE : DIMENSION :
310-11-210-00		KAT.BR. / ART No.: 310-11-210-00 Stock No :	OPIS : ČEP ZA PROFIL M11210 DESCRIPTION : END COVER	BOJA : CRNA COLOR : BLACK
			MATERIJAL / MATERIAL: POLIAMID / POLYAMIDE	PAKOVANJE : PACKAGE :
			PROFIL : M 11210 PROFILE :	DIMENZIJE : DIMENSION :
310-11-226-00		KAT.BR. / ART No.: 310-11-226-00 Stock No :	OPIS : ČEP ZA OKAPNICU M11226 DESCRIPTION : END COVER	BOJA : CRNA COLOR : BLACK
			MATERIJAL / MATERIAL: POLIAMID / POLYAMIDE	PAKOVANJE : PACKAGE :
			PROFIL : M 11226 PROFILE :	DIMENZIJE : DIMENSION :
310-11-116-00		KAT.BR. / ART No.: 310-11-116-00 Stock No :	OPIS : ČEP ZA OKAPNICU M11116 DESCRIPTION : END COVER	BOJA : CRNA/BIJELA COLOR : BLACK/WHITE
			MATERIJAL / MATERIAL: POLIAMID / POLYAMIDE	PAKOVANJE : PACKAGE :
			PROFIL : M11116 PROFILE :	DIMENZIJE : DIMENSION :
310-09-317-00		KAT.BR. / ART No.: 310-09-317-00 Stock No :	OPIS : ČEP ZA OKAPNICU M9317 DESCRIPTION : END COVER	BOJA : CRNA/BIJELA COLOR : BLACK/WHITE
			MATERIJAL / MATERIAL: POLIAMID / POLYAMIDE	PAKOVANJE : PACKAGE :
			PROFIL : M9317 PROFILE :	DIMENZIJE : DIMENSION :
310-09-672-00		KAT.BR. / ART No.: 310-09-672-00 Stock No :	OPIS : ČEP ZA PRAG DESCRIPTION : END COVER	BOJA : CRNA COLOR : BLACK
			MATERIJAL / MATERIAL: POLIAMID / POLYAMIDE	PAKOVANJE : PACKAGE :
			PROFIL : M 9672 PROFILE :	DIMENZIJE : DIMENSION :
180-19-000-00		KAT.BR. / ART No.: 180-19-000-00 Stock No :	OPIS : DODATNA VEZA DESCRIPTION : ALIGNMENT CORNER	BOJA : COLOR :
			MATERIJAL / MATERIAL: ČELIK / STEEL	PAKOVANJE : PACKAGE :
			KAT.BR. / ART No.:	DIMENZIJE : DIMENSION :
180-11-118-00		KAT.BR. / ART No.: 180-11-118-00 Stock No :	OPIS : UGLIČ DESCRIPTION : ALIGNMENT CORNER	BOJA : CRNA COLOR : BLACK
			MATERIJAL / MATERIAL: POLIAMID / POLYAMIDE	PAKOVANJE : PACKAGE :
			KAT.BR. / ART No.:	DIMENZIJE : DIMENSION :

<p>180-20-010-00</p> 	<p>KAT.BR. : 180-20-010-00 ART No : 180-20-010-00 Stock No :</p> <p>OPIS : DODATNA VEZA DESCRIPTION ALIGNMENT CORNER</p> <p>BOJA : CRNA COLOR : BLACK</p> <p>MATERIJAL / MATERIAL POLIAMID / POLYAMIDE</p> <p>PAKOVANJE : PACKAGE :</p> <p>KAT.BR. : ART No :</p> <p>DIMENZIJE : DIMENSION :</p>
<p>180-20-030-00</p> 	<p>KAT.BR. : 180-20-030-00 ART No : 180-20-030-00 Stock No :</p> <p>OPIS : DODATNA VEZA DESCRIPTION ALIGNMENT CORNER</p> <p>BOJA : SIROVO COLOR : MILL FINISH</p> <p>MATERIJAL / MATERIAL LIVENI AL / CAST ALUMINIUM</p> <p>PAKOVANJE : PACKAGE :</p> <p>KAT.BR. : ART No :</p> <p>DIMENZIJE : DIMENSION :</p>
<p>170-60-561-00</p> 	<p>KAT.BR. : 170-60-561-00 ART No : 170-60-561-00 Stock No :</p> <p>OPIS : UGAO ZA LAJSNU M11461 DESCRIPTION CORNER PIECE FOR GLAZING BEAD</p> <p>BOJA : SIROVO COLOR : MILL FINISH</p> <p>MATERIJAL / MATERIAL : LIVENI AL / DIE CAST</p> <p>PAKOVANJE : PACKAGE :</p> <p>KAT.BR. : 170-60-561-02 BIJELA-WHITE, ART No : 170-60-561-03 CRNA - BLACK</p> <p>DIMENZIJE : DIMENSION :</p>
<p>170-60-562-00</p> 	<p>KAT.BR. : 170-60-562-00 ART No : 170-60-562-00 Stock No :</p> <p>OPIS : UGAO ZA LAJSNU M11462 DESCRIPTION CORNER PIECE FOR GLAZING BEAD</p> <p>BOJA : SIROVO COLOR : MILL FINISH</p> <p>MATERIJAL / MATERIAL : LIVENI AL / DIE CAST</p> <p>PAKOVANJE : PACKAGE :</p> <p>KAT.BR. : 170-60-562-02 BIJELA-WHITE, ART No : 170-60-562-03 CRNA - BLACK</p> <p>DIMENZIJE : DIMENSION :</p>
<p>170-60-563-00</p> 	<p>KAT.BR. : 170-60-563-00 ART No : 170-60-563-00 Stock No :</p> <p>OPIS : UGAO ZA LAJSNU M11463 DESCRIPTION CORNER PIECE FOR GLAZING BEAD</p> <p>BOJA : SIROVO COLOR : MILL FINISH</p> <p>MATERIJAL / MATERIAL : LIVENI AL / DIE CAST</p> <p>PAKOVANJE : PACKAGE :</p> <p>KAT.BR. : 170-60-563-02 BIJELA-WHITE, ART No : 170-60-563-03 CRNA - BLACK</p> <p>DIMENZIJE : DIMENSION :</p>
<p>170-60-564-00</p> 	<p>KAT.BR. : 170-60-564-00 ART No : 170-60-564-00 Stock No :</p> <p>OPIS : UGAO ZA LAJSNU M11464 DESCRIPTION CORNER PIECE FOR GLAZING BEAD</p> <p>BOJA : SIROVO COLOR : MILL FINISH</p> <p>MATERIJAL / MATERIAL : LIVENI AL / DIE CAST</p> <p>PAKOVANJE : PACKAGE :</p> <p>KAT.BR. : 170-60-564-02 BIJELA-WHITE, ART No : 170-60-564-03 CRNA - BLACK</p> <p>DIMENZIJE : DIMENSION :</p>
<p>45802.***</p> 	<p>KAT.BR. : 45802.*** ART No : 45802.*** Stock No :</p> <p>OPIS : KONEKTOR ZA T-PREČKU DESCRIPTION T-CONNECTOR</p> <p>BOJA : SIROVO COLOR : MILL FINISH</p> <p>MATERIJAL / MATERIAL : ALUMINIJUM / ALUMINIUM</p> <p>PAKOVANJE : PACKAGE :</p> <p>KAT.BR. : 45802.223 PROFIL/PROFILE M9659 ART No : 45802.233 PROFIL/PROFILE M9690</p> <p>DIMENZIJE : DIMENSION :</p>
<p>110-05-059-00</p> 	<p>KAT.BR. : 110-05-059-00 ART No : 113-05-059-00 Stock No :</p> <p>OPIS : KRUTA SPOJNICA DESCRIPTION PRESS CORNER</p> <p>BOJA : SIROVO COLOR : MILL FINISH</p> <p>MATERIJAL / MATERIAL : ALUMINIJUM / ALUMINIUM</p> <p>PAKOVANJE : PACKAGE :</p> <p>KAT.BR. : ART No :</p> <p>DIMENZIJE : DIMENSION :</p>





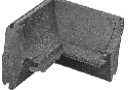








KAT.BR. : 113-11-283-00		Stock No :	
ART No :			
OPIS :	KRUTA SPOJNICA	BOJA :	SIROVO
DESCRIPTION :	PRESS CORNER	COLOR :	MILL FINISH
MATERIJAL / MATERIAL :	ALUMINIJUM / ALUMINIUM	PAKOVANJE :	
		PACKAGE :	
KAT.BR. :		DIMENZIJE :	
ART No :		DIMENSION :	



KAT.BR. : 180-20-040-00		Stock No :	
ART No :			
OPIS :	DODATNA VEZA	BOJA :	SIROVO
DESCRIPTION :	ALIGNMENT CORNER	COLOR :	MILL FINISH
MATERIJAL / MATERIAL :	LIVENI AL / CAST ALUMINIUM	PAKOVANJE :	
		PACKAGE :	
KAT.BR. :		DIMENZIJE :	
ART No :		DIMENSION :	



KAT.BR. : 180-20-025-00		Stock No :	
ART No :			
OPIS :	DODATNA SPOJNICA	BOJA :	CRNO
DESCRIPTION :	ALIGNMENT CORNER	COLOR :	BLACK
MATERIJAL / MATERIAL :	POLIAMID / POLYAMIDE	PAKOVANJE :	
		PACKAGE :	
KAT.BR. :		DIMENZIJE :	
ART No :		DIMENSION :	

	<p>KAT.BR. ART No: 200-96-500-01 Stock No : _____</p> <p>OPIS / DESCRIPTION : CENTRALNA ZAPTIVKA / CENTRAL GASKET</p> <p>MATERIJAL / MATERIAL : EPDM PLUS BOJA / COLOR: CRNA / BLACK</p>
	<p>KAT.BR. ART No: 255-96-500-00 Stock No : _____</p> <p>OPIS / DESCRIPTION : COŠAK / VULCANIZED CORNER</p> <p>MATERIJAL / MATERIAL : EPDM BOJA / COLOR: CRNA / BLACK</p>
	<p>KAT.BR. ART No: 255-96-500-01 Stock No : _____</p> <p>OPIS / DESCRIPTION : ČOŠAK / VULCANIZED CORNER</p> <p>MATERIJAL / MATERIAL : EPDM BOJA / COLOR: CRNA / BLACK</p>
	<p>KAT.BR. ART No: 220-11-001-00 Stock No : _____</p> <p>OPIS / DESCRIPTION : ZAPTIVKA / GASKET</p> <p>MATERIJAL / MATERIAL : EPDM BOJA / COLOR: CRNA / BLACK</p>
	<p>KAT.BR. ART No: 220-11-002-00 Stock No : _____</p> <p>OPIS / DESCRIPTION : ZAPTIVKA / GASKET</p> <p>MATERIJAL / MATERIAL : EPDM BOJA / COLOR: CRNA / BLACK</p>
	<p>KAT.BR. ART No: 250-11-226-00 Stock No : _____</p> <p>OPIS / DESCRIPTION : ZAPTIVKA / GASKET</p> <p>MATERIJAL / MATERIAL : EPDM BOJA / COLOR: CRNA / BLACK</p>
	<p>KAT.BR. ART No: 250-11-170-00 Stock No : _____</p> <p>OPIS / DESCRIPTION : ZAPTIVKA / GASKET</p> <p>MATERIJAL / MATERIAL : EPDM BOJA / COLOR: CRNA / BLACK</p>
	<p>KAT.BR. ART No: 250-11-270-00 Stock No : _____</p> <p>OPIS / DESCRIPTION : ZAPTIVKA / GASKET</p> <p>MATERIJAL / MATERIAL : EPDM BOJA / COLOR: CRNA / BLACK</p>
	<p>KAT.BR. ART No: 200-05-304-00 Stock No : _____</p> <p>OPIS / DESCRIPTION : ZAPTIVKA ZA STAKLO 3-4 mm / GLAZING GASKET 3-4 mm</p> <p>MATERIJAL / MATERIAL : EPDM BOJA / COLOR: CRNA / BLACK</p>
	<p>KAT.BR. ART No: 200-06-860-00 Stock No : _____</p> <p>OPIS / DESCRIPTION : ZAPTIVKA ZA STAKLO 4 mm / GLAZING GASKET 4 mm</p> <p>MATERIJAL / MATERIAL : EPDM BOJA / COLOR: CRNA / BLACK</p>
	<p>KAT.BR. ART No: 210-96-500-00 Stock No : _____</p> <p>OPIS / DESCRIPTION : CENTRALNA ZAPTIVKA / CENTRAL GASKET</p> <p>MATERIJAL / MATERIAL : EPDM PLUS BOJA / COLOR: CRNA / BLACK</p>



- Telefoni: ++387 56 733 750; 710 571; 710-690
- Fax: ++387 56 733 196; 710 681
- E-mail: bhaluminium@alpro-vl.com
- Web: www.alumil.com, www.alumil.ba, www.alpro-vl.com